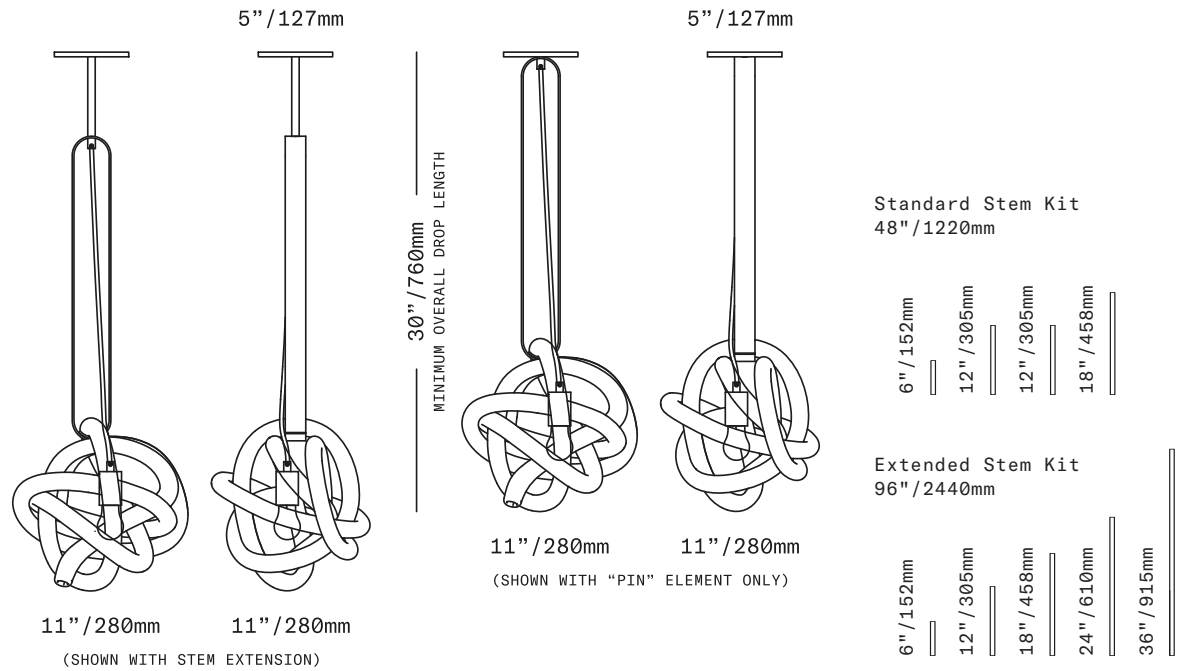


SkLO

Wrap Pin 1.21

PENDANT



Our signature SkLO Large Wrap, a continuous wound length of the handblown Czech glass tube, is featured on the Wrap Pin Pendant. The glass element hangs from a brass "pin" element, made of a continuous ribbon of a brass bar, which opens and closes to allow for removal of the glass. The brass socket is suspended on an exposed fabric-wrapped electrical cord from the top of the "pin" and suspends the light bulb within the opening at the top of the glass.

UL listed suitable for dry and damp locations (US & Canada)

Socket 120V E12 25W Max (LED bulb included)

Requires recessed electrical box for installation

Accommodates sloped ceilings

Standard canopy does NOT accommodate sloped ceilings or swagging of this light. Other canopy options are available at an additional cost. Visit the Accessories page on our website to see available canopy options and review compatibility

This fixture is compatible with one or more of SkLO customizable multi-pendant canopy systems. Visit the Accessories page on our website to see available systems and review compatibility

Fixture length:

Fixture includes our field-adjustable Standard Stem Kit (consists of (1) 6"/152mm, (2) 12"/305mm, and (1) 18"/458mm combinable stem sections) – additional Stem Kits are available at additional cost

Our field-adjustable Extended Stem Kit is available at additional cost (consists of (1) 6"/152mm, (1) 12"/305mm, (1) 18"/458mm, (1) 24"/610mm and (1) 36"/915mm combinable stem sections)

Custom cut-to-order stems (not field-adjustable) available – requires specified OAL (overall drop length) – minimum OAL 35"/900mm. Lengths over 78"/1970mm available at additional cost

Fixture weight (approximate): 8lbs/3.5kg

Handblown glass production results in variation in dimensions, shape, color saturation, color tint, and imperfections such as small bubbles. This is part of SkLO design intent

Made in the Czech Republic

LT126 [---][---]

Wrap Pin 1.21 Pendant

Glass colors

- Amber [AMB]
- Clear [CLR]
- Gray [GRY]
- New Blue [NBL]
- Silver Mirror [SLV]
- Smoke [SMK]
- Steel Blue [SBL]
- White [WHT]

Metal finishes

- Antique Brass [AB]
- Dark Oxidized [DX]
- Brushed Brass [BB]
- Brushed Nickel [BN]
- Polished Nickel [PN]

Cord colors

- Black
- Blue
- Gold
- Gray

