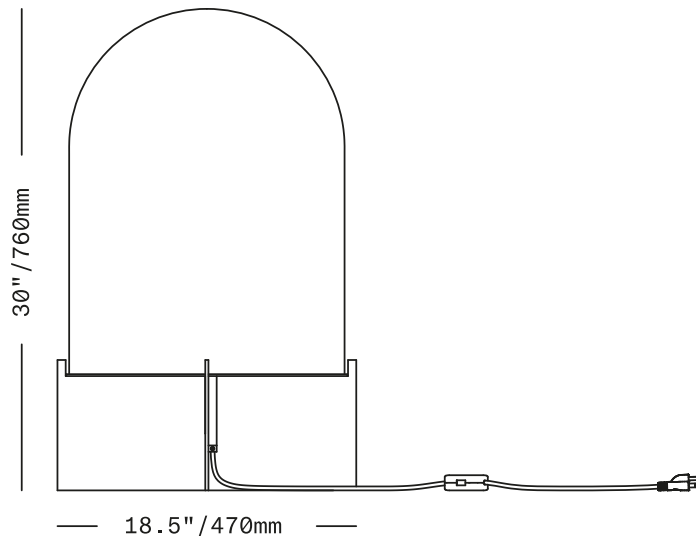


# SkLO

## Dome

TABLE LIGHT/FLOOR LIGHT



 **IP20**

A large dome of handblown Czech glass with a frosted finish rests atop a custom base made of vertical solid brass plates. A brass ring fits onto the base as a seat for the glass dome. Imposing in size, it can work on large furniture, or the floor, depending on the decor. While large, the softness of the frosted glass and minimal presence of the base make it approachable and compelling.

UL listed suitable for dry locations only (US & Canada)

Socket 120V E26 60W Max (LED bulb included)

72" (1830mm) black fabric-wrapped cord with in-line switch

Handblown glass production results in variation in dimensions, shape, color saturation, color tint, and imperfections such as small bubbles. This is part of SkLO design intent

Made in the Czech Republic

LT337 [---][--]

Dome Table Light/Floor Light

Glass colors

- Clear Frosted [FCL]
- Olivin Frosted [FOL]
- Smoke Frosted [FSM]
- White Frosted [FWT]

Metal finishes

- Antique Brass [AB]
- Dark Oxidized [DX]
- Brushed Brass [BB]
- Brushed Nickel [BN]
- Polished Nickel [PN]

