

SKLO



Furniture





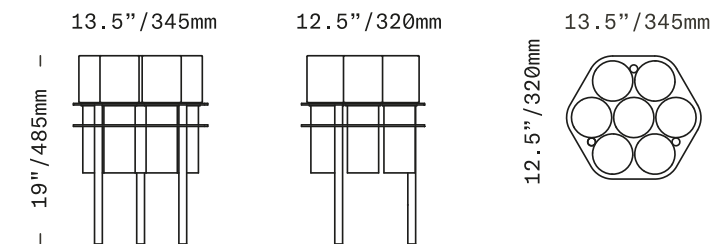
SKLO

Field 7

TABLE



From left: Olivin and Smoke, both Brushed Brass metal finish



Small cylinders of handblown glass are grouped to create geometric table surfaces. The cylinders nest upside down into twin floating plates of perforated metal. Thin legs repeat the cylindrical motif and integrate into the geometric pattern of the glass. The individual pieces of glass have been carefully spaced to create an eminently functional tabletop surface, yet still read as separate. The result is mesmerizing and graceful.

All glass dimensions are approximate – handblown glass dimensions vary by nature and intent

Made in the Czech Republic

- | | |
|----------------|---|
| TB100[---][--] | Field 7 Table |
| Glass colors | <ul style="list-style-type: none"> ○ Clear Frosted [FCL] ● Olivin [OLV] ● Plum [PLM] ● Smoke [SMK] |
| Metal finishes | <ul style="list-style-type: none"> ● Dark Oxidized [DX] ● Brushed Brass [BB] ● Brushed Nickel [BN] ○ Polished Nickel [PN] |

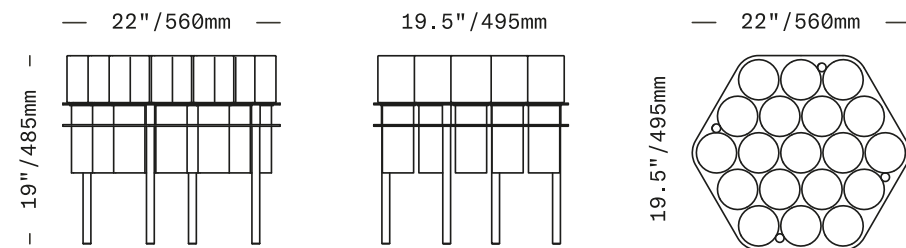
SkLO

Field 19

TABLE



Clear Frosted glass, Brushed Brass metal finish



Small cylinders of handblown glass are grouped to create geometric table surfaces. The cylinders nest upside down into twin floating plates of perforated metal. Thin legs repeat the cylindrical motif and integrate into the geometric pattern of the glass. The individual pieces of glass have been carefully spaced to create an eminently functional tabletop surface, yet still read as separate. The result is mesmerizing and graceful.

All glass dimensions are approximate – handblown glass dimensions vary by nature and intent

Made in the Czech Republic

TB101[---][--]

Field 19 Table

Glass colors

- Clear Frosted [FCL]
- Olivin [OLV]
- Plum [PLM]
- Smoke [SMK]

Metal finishes

- Dark Oxidized [DX]
- Brushed Brass [BB]
- Brushed Nickel [BN]
- Polished Nickel [PN]

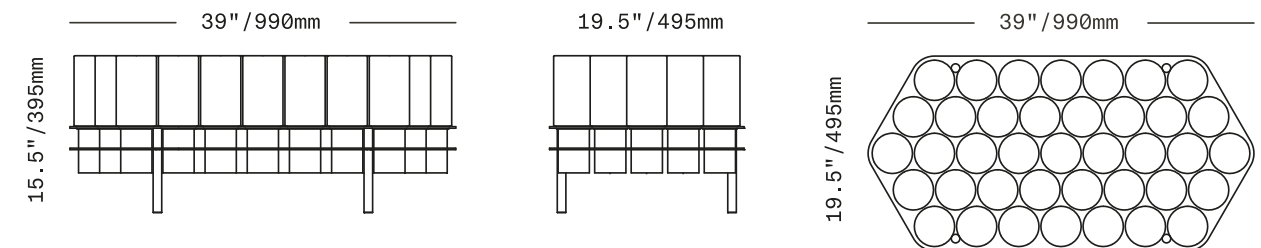
SkLO

Field 39

TABLE



Clear Frosted glass, Brushed Brass metal finish



Small cylinders of handblown glass are grouped to create geometric table surfaces. The cylinders nest upside down into twin floating plates of perforated metal. Thin legs repeat the cylindrical motif and integrate into the geometric pattern of the glass. The individual pieces of glass have been carefully spaced to create an eminently functional tabletop surface, yet still read as separate. The result is mesmerizing and graceful.

All glass dimensions are approximate – handblown glass dimensions vary by nature and intent

Made in the Czech Republic

TB102[---][--]

Field 39 Table

Glass colors

- Clear Frosted [FCL]
- Olivin [OLV]
- Plum [PLM]
- Smoke [SMK]

Metal finishes

- Dark Oxidized [DX]
- Brushed Brass [BB]
- Brushed Nickel [BN]
- Polished Nickel [PN]



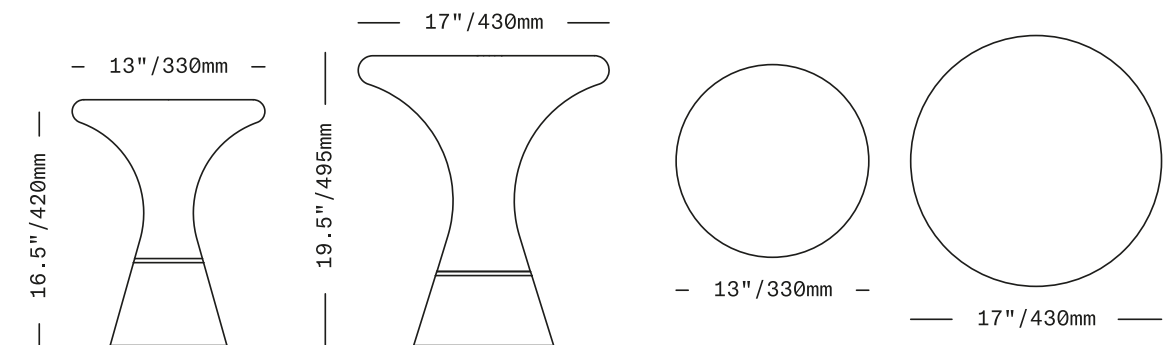
SKLO

Join

TABLE



Left to right: Large Plum, Small Olivin, Small Smoke



The Join Table pairs a circular table top of handblown glass with a Carrara marble base. The flared open bottom of the glass precisely matches the tapered conical form of the solid stone base. The marble continues up within the void of the glass top, visible through the transparent glass. A ring of solid brass protects the exposed edge of the glass while adding another layer of detail. The glass tops are produced in vibrant transparent glass colors, each telling a different color story when paired with the neutral-honed marble. Available in two sizes.

All glass dimensions are approximate – handblown glass dimensions vary by nature and intent

Made in the Czech Republic

TB110 [---][--]
TB111 [---][--]

Large
Small

Glass colors

● Olivin [OLV]
● Plum [PLM]
● Smoke [SMK]

Metal finishes

● Dark Oxidized [DX]
● Brushed Brass [BB]
● Brushed Nickel [BN]
○ Polished Nickel [PN]

SkLO ships worldwide from the Czech Republic

Inquiries:

SkLO EU eu@sklo.com

SkLO US us@sklo.com

www.sklo.com

SkLO

sklo.com

SkLO US 115 WEST NORTH STREET HEALDSBURG CALIFORNIA 95448 USA +1.707.385.2101 us@sklo.com

SkLO EU BRATŘÍ ŠTEFANŮ 902/71 500 03 HRADEC KRÁLOVÉ CZECH REPUBLIC +420.495.542.071 eu@sklo.com