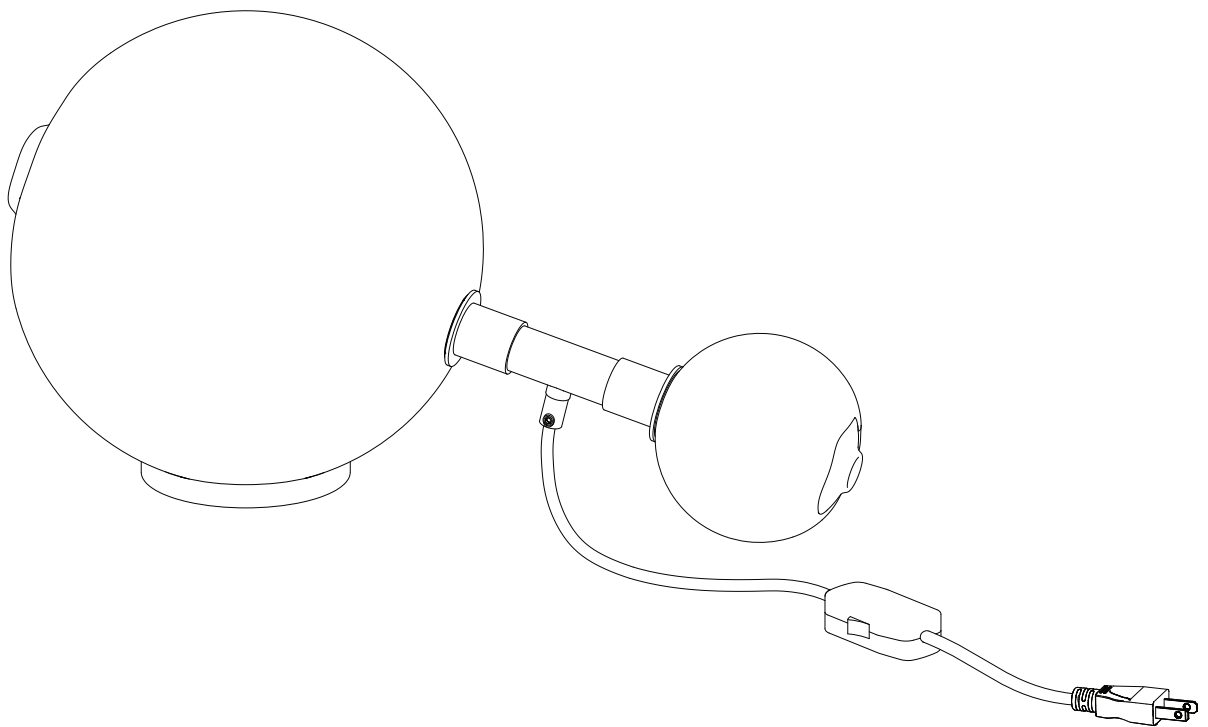




TWICE LIGHT

Installation Instructions



SkLO

sklo.com

SkLO US 115 WEST NORTH STREET HEALDSBURG CALIFORNIA 95448 USA +1.707.385.2101 us@sklo.com
SkLO EU VÁŽNÍ 488 500 03 HRADEC KRÁLOVÉ CZECH REPUBLIC +420.495.542.071 eu@sklo.com

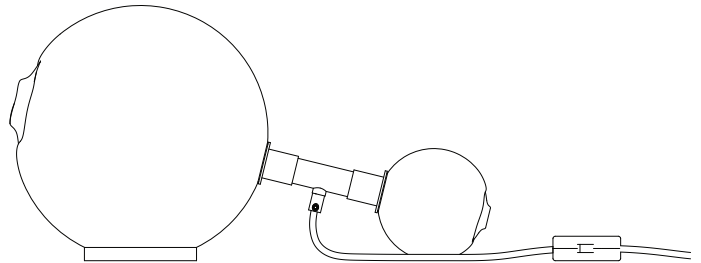


TWICE LIGHT

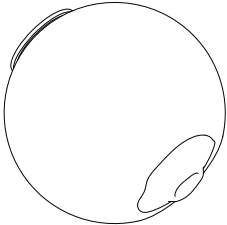
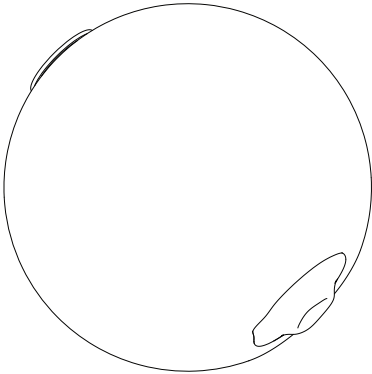
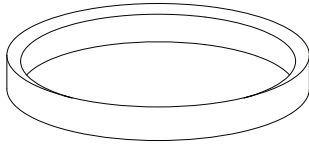
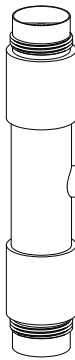
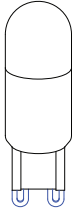
Congratulations on your purchase of a SkLO Twice Light. This product must be installed in accordance with the applicable codes. Use a maximum 7W bulb.

When unpacking individual items and parts of the light fixture, make sure to lay them out on a protective surface that will neither mar the delicate metal finishes nor scratch the glass. Gloves (nitrile) are provided and must be worn during installation to avoid fingerprints on the finish of the exposed metal parts.

Your SkLO fixture will arrive with the hand-blown glass elements packed separately from the light fixture itself.



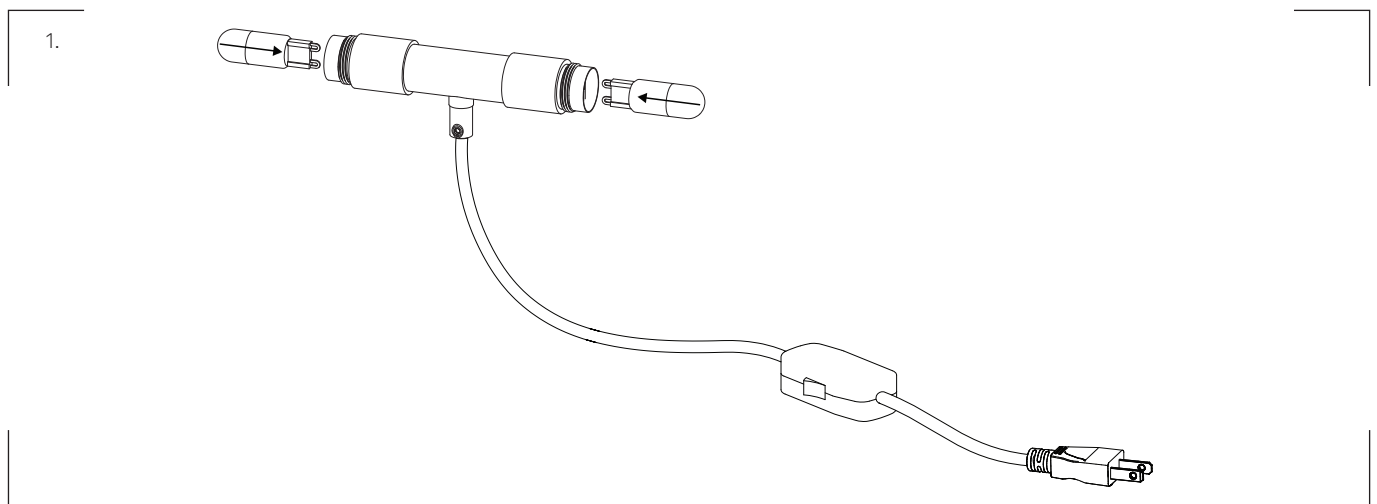
CONTENTS:

<p>Glass element</p>  <p>Glass element</p> 	<p>Ring</p>  <p>1x</p> <p>Electrical assembly</p>  <p>1x</p>	<p>Light bulb</p>  <p>1x</p> <p>2x</p>



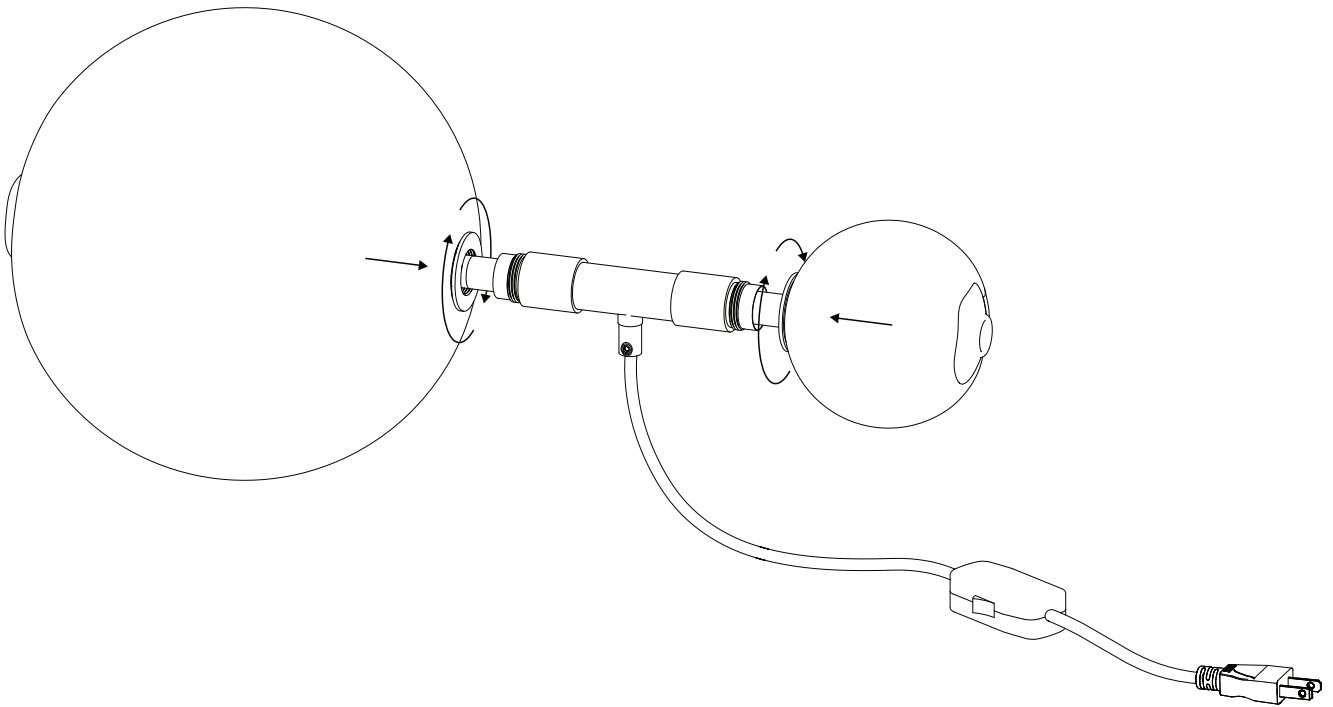
1. Carefully unwrap the brass electrical assembly. The brass electrical assembly has a threaded socket at each end and a fabric-wrapped electrical cord with in-line on/off switch and plug.
2. Install the supplied LED light bulbs (7W Max) into the sockets (Figure 1). This fixture uses G9 sockets and light bulbs. The G9 is a bi-pin socket. Light bulbs are to be inserted and removed by pushing the bulb straight into the socket, and by pulling it straight out. The bulb, when inserted, should have a tight fit. Do not force the bulb. If there is resistance, check to make sure nothing inside the socket is bent or obstructing the bulb. Always turn off the power to the fixture when changing the bulb(s).
3. Install a glass diffuser on each end of the brass electrical assembly. Each glass diffuser has a threaded brass insert on one side. Slip the threaded brass insert over the light bulb and onto the threaded socket. Carefully thread the glass diffuser onto the socket. Do not overtighten (Figure 2).
4. Set the provided brass ring in the location the Twice light is to be displayed with the beveled edge facing up. Carefully rest the large 10"/25cm glass diffuser into the ring (Figure 3).
5. Plug in.

PLEASE NOTE: If the electrical cord of this luminaire is damaged, it must be replaced exclusively by the manufacturer, its service technician, or a person with the same qualifications to prevent the danger of electric shock and/or injury.





2.



3.

