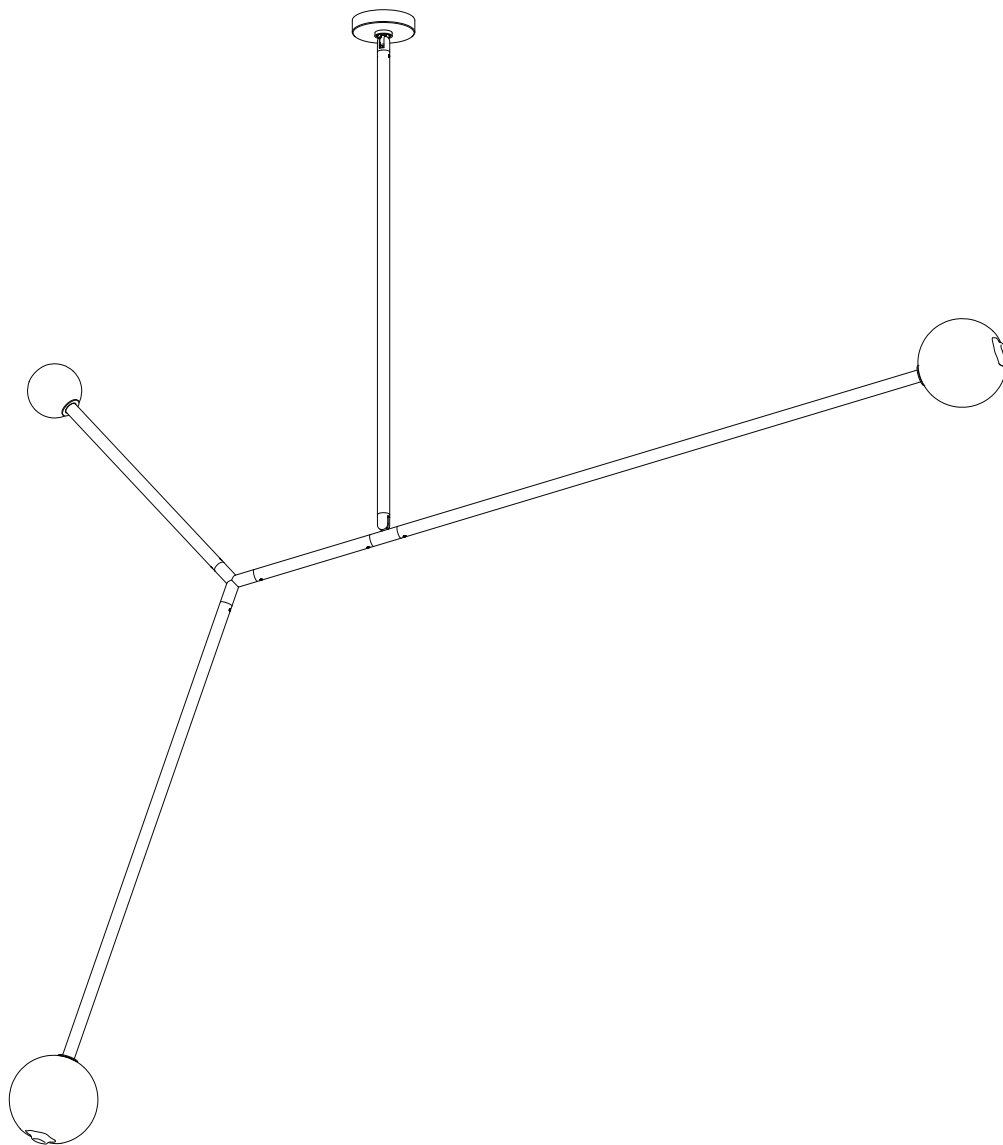




# ANGLE 2.0 PENDANT

## Installation Instructions



**SkLO**

sklo.com

SkLO US 115 WEST NORTH STREET HEALDSBURG CALIFORNIA 95448 USA +1.707.385.2101 us@sklo.com

SkLO EU BRATŘÍ ŠTEFANŮ 902/71 500 03 HRADEC KRÁLOVÉ CZECH REPUBLIC +420.495.542.071 eu@sklo.com

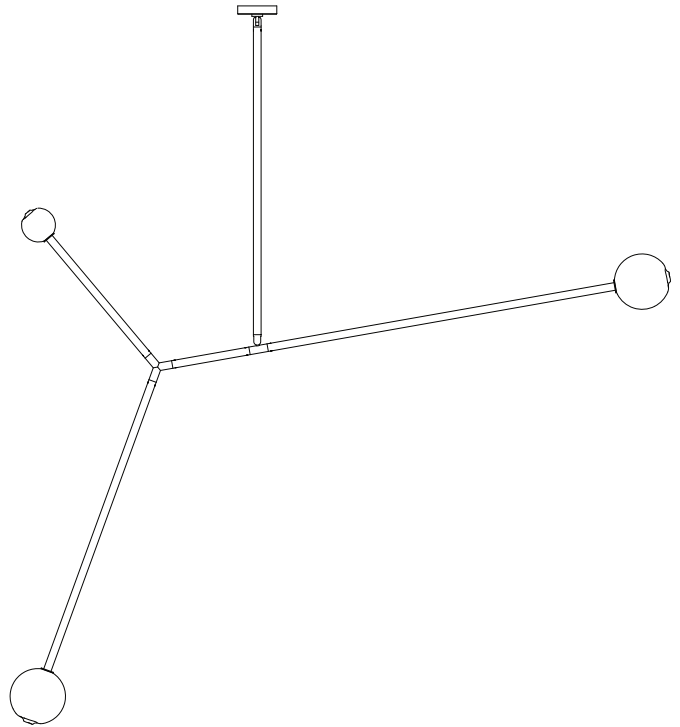


## ANGLE 2.0 PENDANT

Congratulations on your purchase of a SkLO Angle 2.0 Pendant. This product must be installed in accordance with the applicable codes by a person familiar with the construction and operation of the product and the hazards involved, preferably a licensed electrician. Use a maximum 7W bulb.

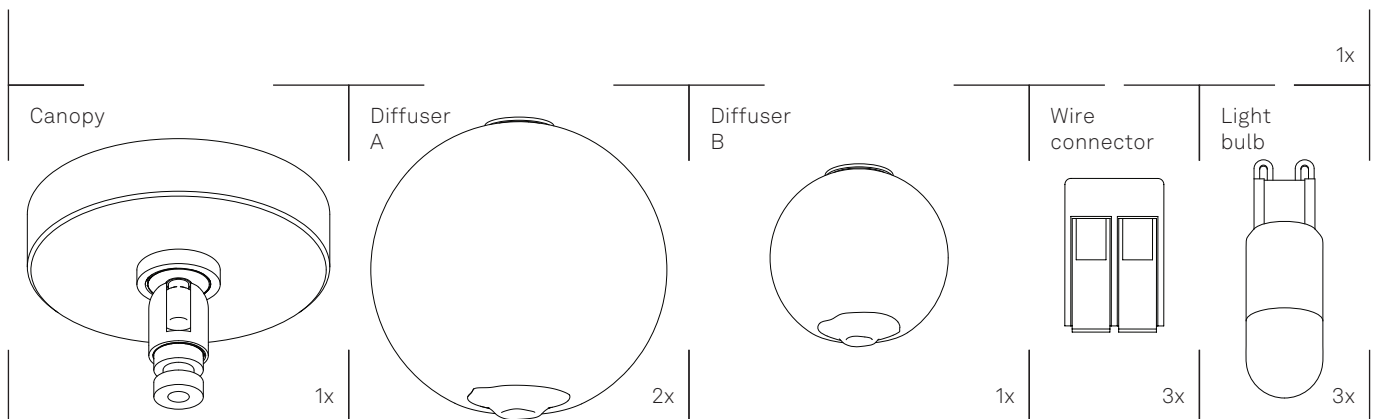
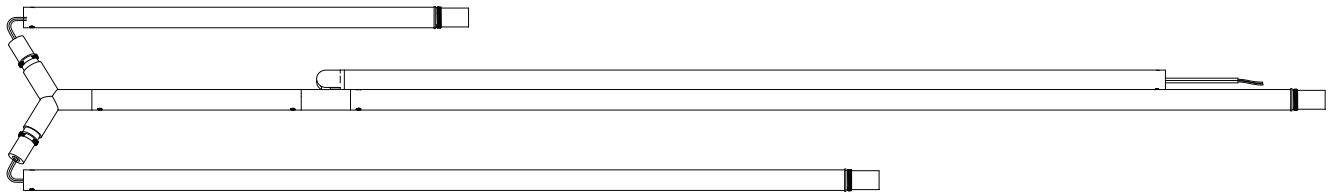
**When unpacking individual items and parts of the light fixture, make sure to lay them out on a protective surface that will neither mar the delicate metal finishes nor scratch the glass. Gloves (nitrile) are provided and must be worn during installation to avoid fingerprints on the finish of the exposed metal parts.**

Your fixture will arrive with the hand-blown glass elements packed separately from the light fixture itself.



### CONTENTS:

Pendant  
assembly

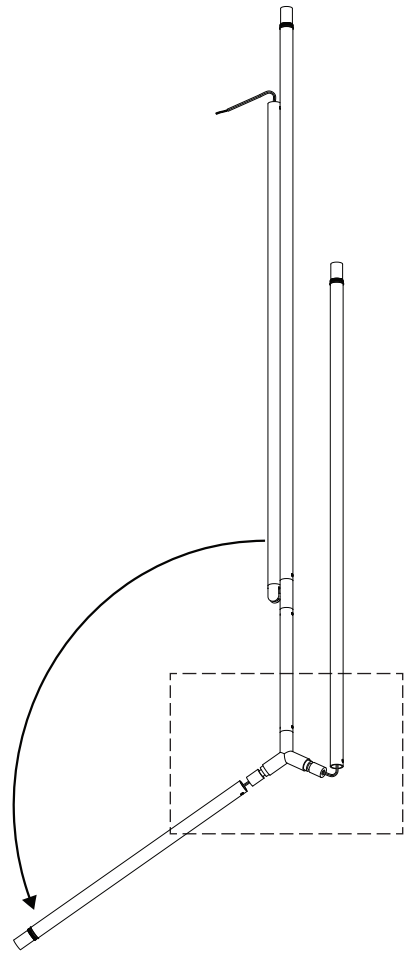
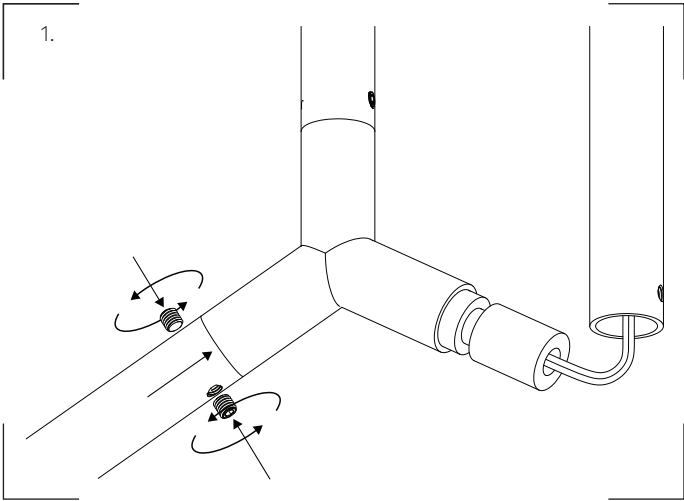




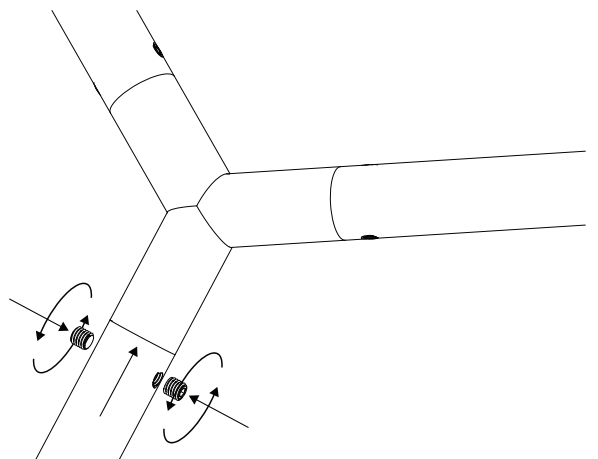
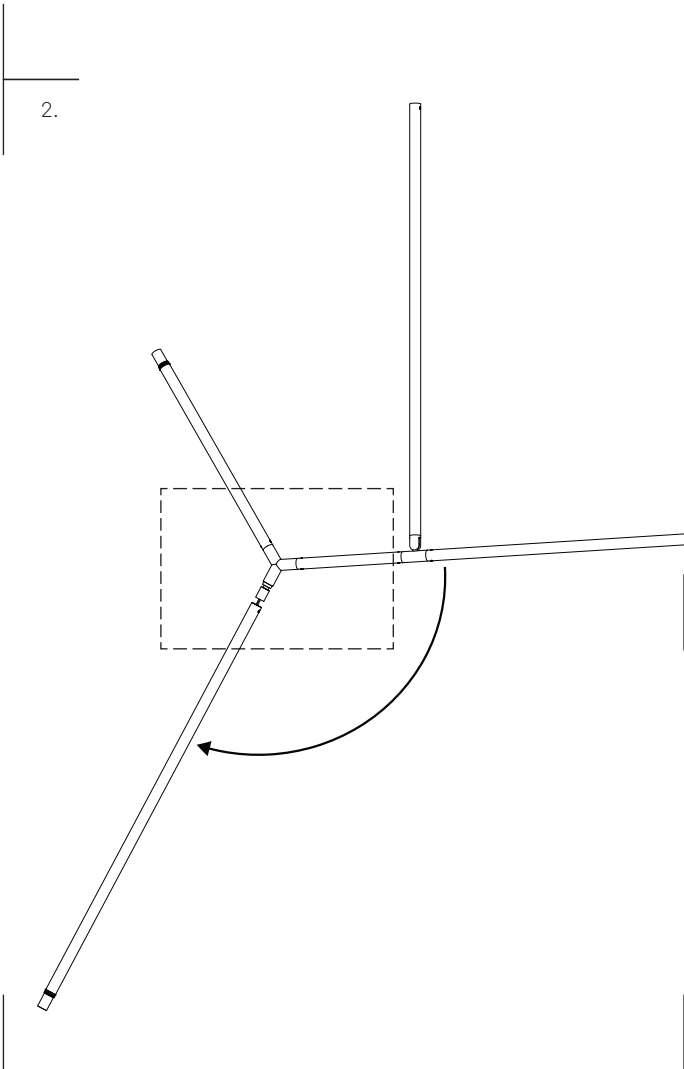
1. Unwrap the pendant assembly and lay it out on a protective surface big enough to fit in the fully assembled fixture. Take the shorter arm of the pendant assembly and carefully pivot it into a position where it aligns with the shaft of the joint. Slowly slide the arm onto the shaft until it sits tight on the shaft. Use two set screws (provided) to secure the arm in the position (Figure 1). To tighten set screws use the provided wrench. While manipulating with the arm do not forcefully pull nor twist the arm.
2. Take the longer arm of the pendant assembly and carefully pivot it into a position where it aligns with the shaft of the joint. Slowly slide the arm onto the shaft until it sits tight on the shaft. Use two set screws (provided) to secure the arm in the position (Figure 2). To tighten set screws use the provided wrench. While manipulating with the arm do not forcefully pull nor twist the arm.
3. Feed the exposed wires at the top of the stem through the central hole in canopy joint of the canopy assembly. Slide the joint shaft into the stem. Use two set screws (provided) to secure the arm in the position (Figure 3). To tighten set screws use the provided wrench.
4. Carefully unscrew the canopy nut and slide it, together with the canopy, over the stem (Figure 4). Take great care when sliding the canopy nut and the canopy so that they do not slip and scratch the stem or other parts of the pendant.
5. Mounting process:
  - **Required Assistance:** Due to the large dimensions of the pendant and to prevent the pivoting arms from overbearing, at least two people are required for installation. One person must hold the arm assembly while the other secures the pendant to the ceiling.
  - **Balancing and Alignment:** To ensure the pendant balances in an equilibrium position, align the slot on the pendant joint with the pendant assembly in its desired position. Central plane of the slot and the pendant assembly must be aligned (Figure 5).
  - **Sloped Ceiling Installation:** The canopy joint allows installation on sloped ceilings up to 30 degrees in any direction. For ceilings with a greater slope, ensure the slot of the joint canopy is perpendicular to the plane of the ceiling.
- **Mounting Plate and Fasteners:** This pendant requires an electrical box with available holes at 3 1/2" on center spacing. If a box with differently spaced threaded holes is present, additional parts may be required to install the fixture properly, such as a universal cross bar (not supplied). Install the mounting plate by fastening the two supplied 8/32 thread brass machine screws directly into the appropriate holes in the electrical box through the holes provided in the mounting plate, making sure that the mounting plate sits flat and flush against the finish surface (Figure 6). Take great care when installing screws so that tools do not slip and scratch the pendant finish.
- **Wire connection:** Connect the exposed leads of the fixture to the exposed leads on a ceiling, following the wiring diagram and using the provided wire connectors. Attach ground (TE) wire to ground (TE) wires of the light fixture, phase 1 (L1) to phase 1 (L1) of the light fixture, neutral (N) to neutral (N) of the light fixture (Figure 7). Please note the number and type of wire connectors may vary.
- **Canopy securing:** Carefully slide the canopy over the stem. Take care that no electrical cables or connection are exposed where the canopy meets the ceiling. Fasten the canopy by screwing the canopy nut onto mounting plate, making sure that the canopy sits flush against the ceiling finish surface (Figure 8). Take great care when installing canopy nut so that it does not slip and scratch the canopy finish.
6. Remove the protective packaging from the brass sockets and install the supplied light bulbs (7W Max) into each socket (Figure 9). Always turn off the power to the fixture when changing the bulb. Unwrap and lay out the glass diffusers. One at the time carefully thread a glass diffusers onto pendant assembly. Thread until visually tight – do not overtighten to avoid snug tight.
7. Final Securing: Once the pendant is in the desired position, tighten the set screws on the side of both joints to prevent it from spinning (Figure 10).



1.

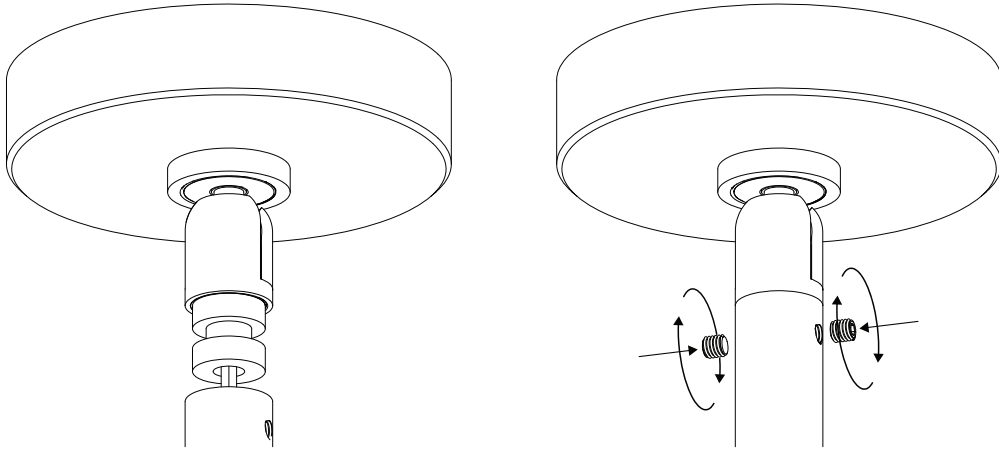


2.

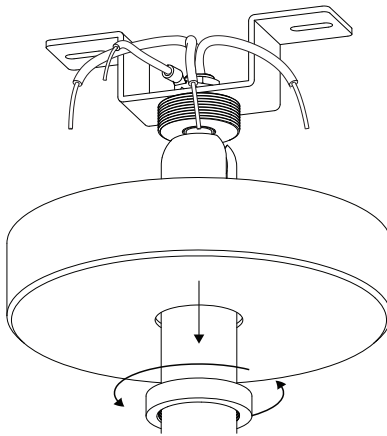




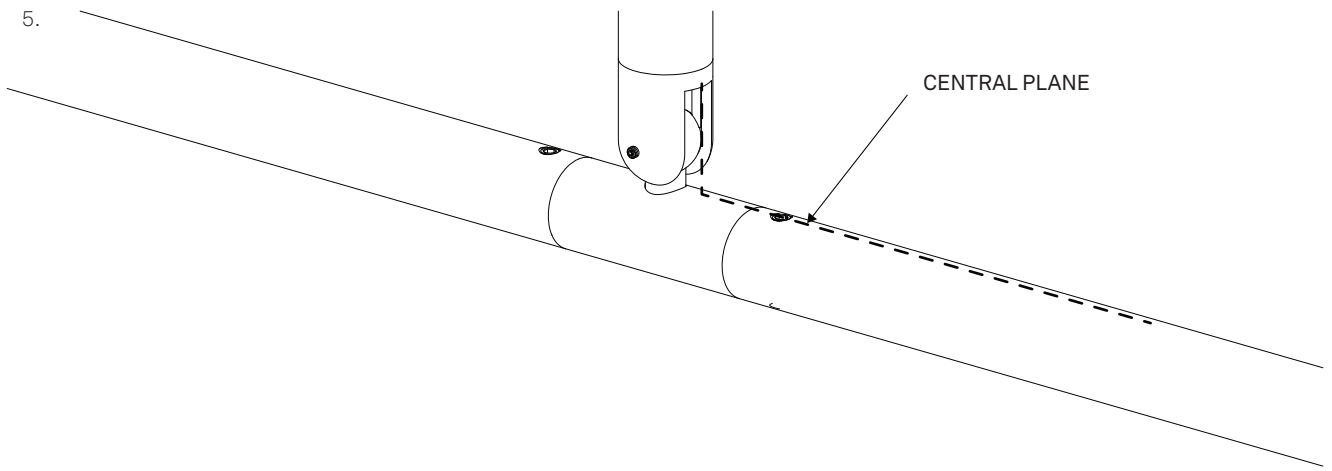
3.



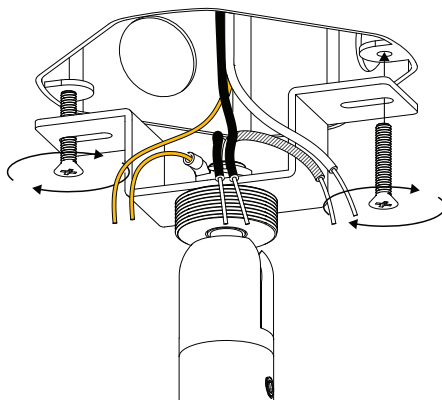
4.



5.

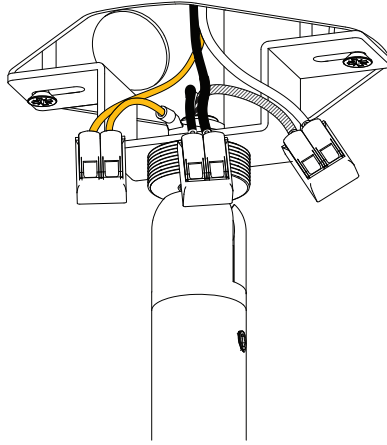


6.

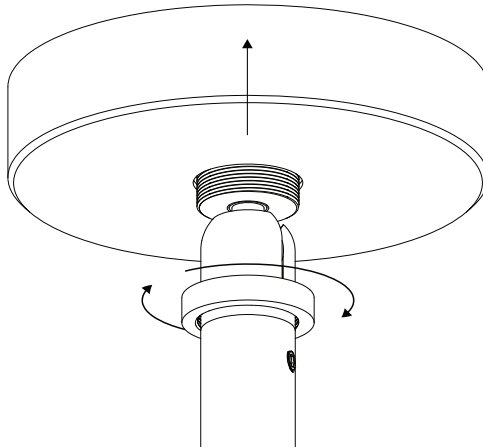




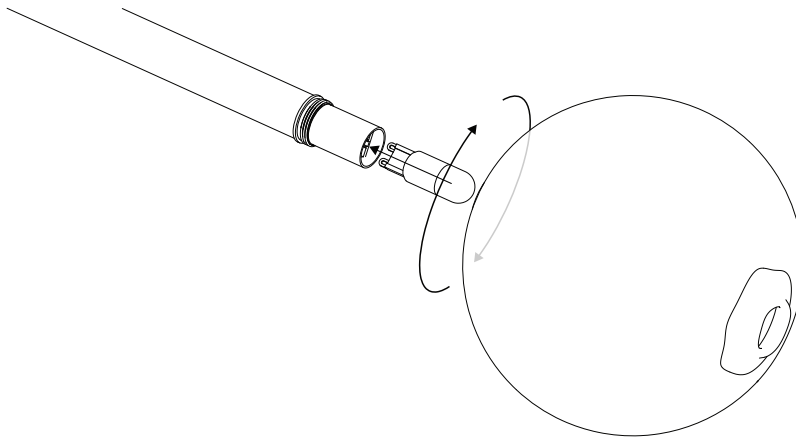
7.



8.



9.



10.

