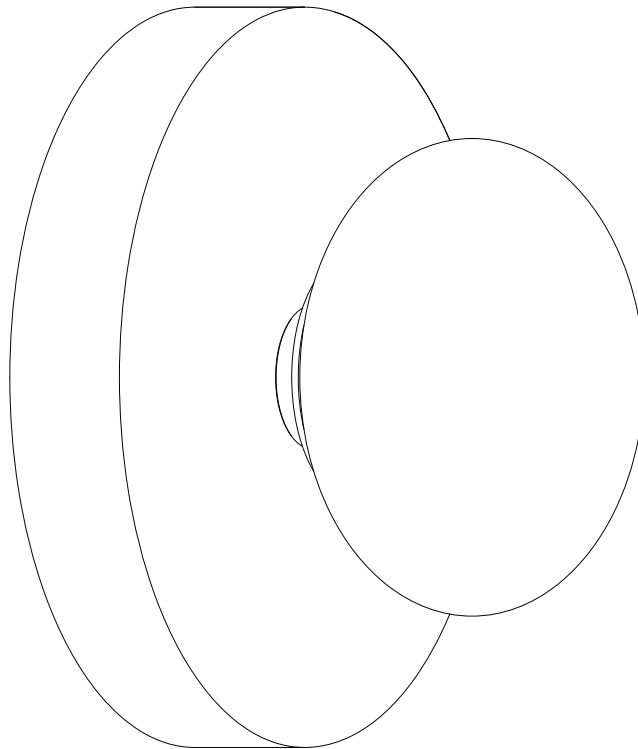




DOT 1X SCONCE/CEILING

Installation Instructions



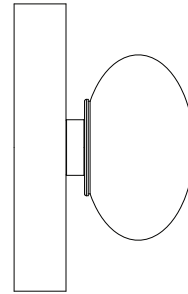


DOT 1x SCONCE/CEILING

Congratulations on your purchase of a SkLO Dot 1x Sconce/Ceiling. This product must be installed in accordance with the applicable codes by a person familiar with the construction and operation of the product and the hazards involved, preferably a licensed electrician. Use a maximum 7W bulb.

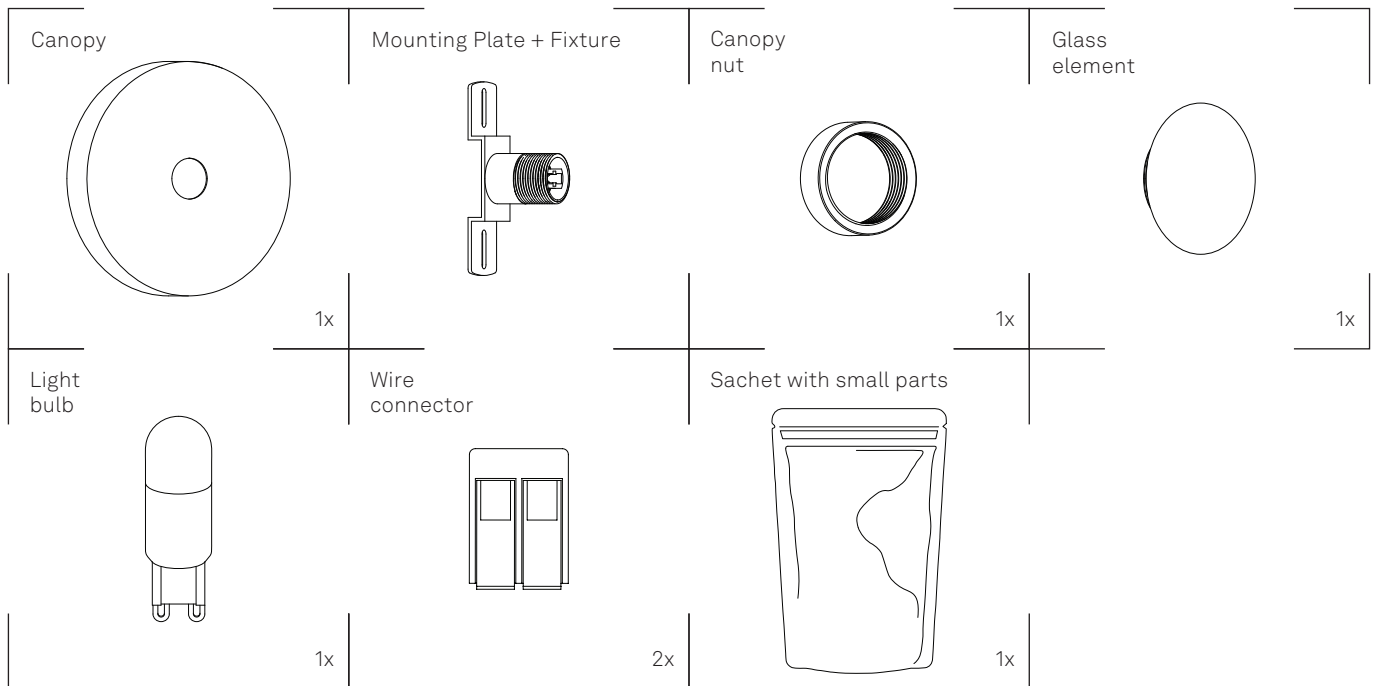
When unpacking individual items and parts of the light fixture, make sure to lay them out on a protective surface that will neither mar the delicate metal finishes nor scratch the glass. Gloves (nitrile) are provided and must be worn during installation to avoid fingerprints on the finish of the exposed metal parts.

Your SkLO fixture will arrive with the hand-blown glass element packed separately from the light fixture itself.



CONTENTS:

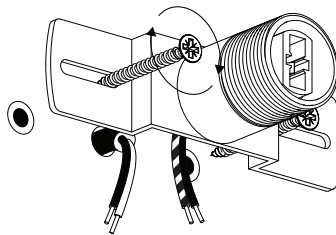
Fixture Weight (approx): 1 kg



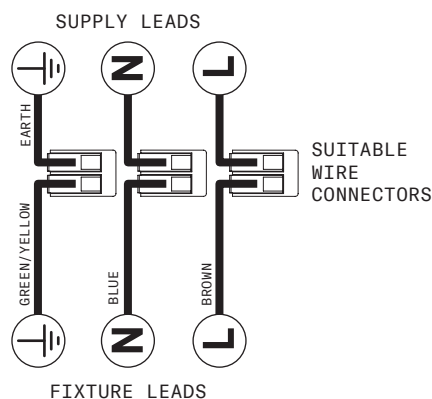


1. The Fixture will arrive pre-assembled to the Crossbar. Fasten crossbar to a recessed electrical box or directly to the wall/ceiling using fasteners/anchors (not provided) that are appropriate to the ceiling material and adequate to support the weight of the fixture (Figure 1).
2. Make the electrical connections: Connect the fixture leads to the supply leads following the wiring diagram (Figure 2).
3. Carefully slide the canopy over the Fixture lampholder + threaded cup. Fasten the Canopy by screwing the Canopy Nut onto the threaded cup, making sure that the canopy sits flush against the wall finish surface (Figure 3). Take care not to scratch the finish.
4. Install the supplied LED light bulb (7W Max) into the socket. This fixture uses a G9 socket and light bulb. The G9 is a bi-pin socket. Light bulb is to be inserted and removed by pushing the bulb straight into the socket, and by pulling it straight out. The bulb, when inserted, should have a tight fit. Do not force the bulb. If there is resistance, check to make sure nothing inside the socket is bent or obstructing the bulb. Always turn off the power to the fixture when changing the bulb(s).
5. Carefully thread the glass diffuser onto the threaded cup (Figure 4). Thread on the glass diffusers just until they are visually tight – do not over tighten.

1.

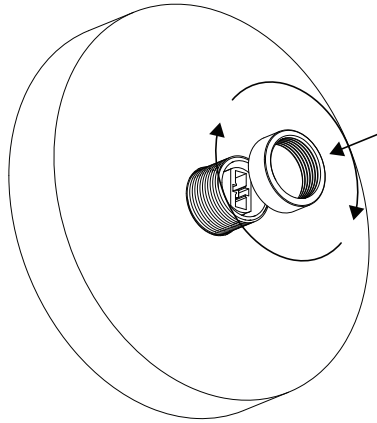


2.





3.



4.

