

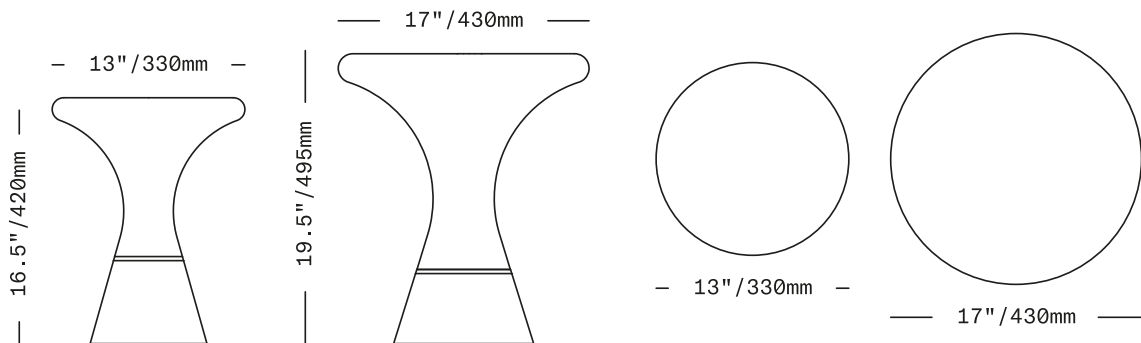
SKLO

Join

TABLE



Left to right: Large Plum, Small Olivin, Small Smoke



The Join Table pairs a circular table top of handblown glass with a Carrara marble base. The flared open bottom of the glass precisely matches the tapered conical form of the solid stone base. The marble continues up within the void of the glass top, visible through the transparent glass. A ring of solid brass protects the exposed edge of the glass while adding another layer of detail. The glass tops are produced in vibrant transparent glass colors, each telling a different color story when paired with the neutral-honed marble. Available in two sizes.

All glass dimensions are approximate – handblown glass dimensions vary by nature and intent

Made in the Czech Republic

TB110 [---][--]
TB111 [---][--]

Glass colors

Large
Small

● Olivin [OLV]
● Plum [PLM]
● Smoke [SMK]

Metal finishes

● Dark Oxidized [DX]
● Brushed Brass [BB]
● Brushed Nickel [BN]
○ Polished Nickel [PN]

