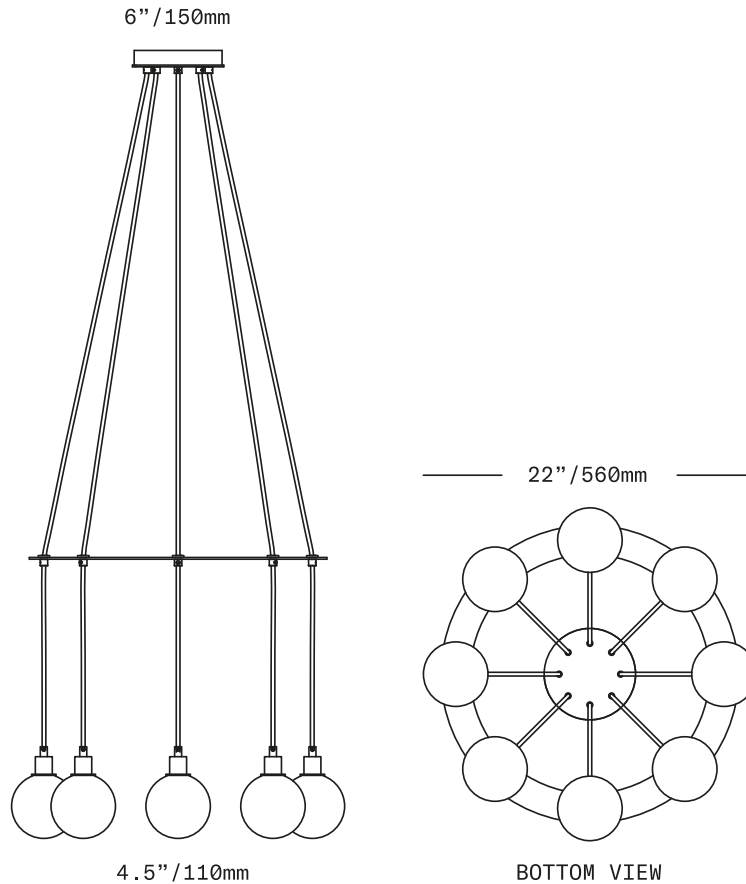


SkLO

Drape Circle 8

CHANDELIER



The Drape Circle 8 Chandelier consists of 8 individual pendants gathered and supported by a brass ring. Each pendant features a 4.5"/110mm diameter diffuser of handblown Czech glass suspended on a fabric-wrapped electrical cord. The cords pass through the ring and are evenly spaced around the circumference. The glass diffusers are available in both "dipped" glass, featuring the SkLO double-dipped flame-polished mouth and "textured" glass, featuring a soft, frosted finish and subtle sculpted vertical ridges. Cord lengths are field adjustable.

UL listed suitable for dry and damp locations (US & Canada)

Sockets 120V G9 7W Max

LED bulbs included

Requires recessed electrical box for installation

Not recommended for sloped ceilings

Standard cord length 72"/1830mm – field adjustable – longer lengths available at additional cost

Fixture weight (approximate): 25lbs/11kg

All glass dimensions are approximate – handblown glass dimensions vary by nature and intent

Made in the Czech Republic

LT280 [---][--] Drape Circle 8 Chandelier

- | | |
|-----------------------|---|
| Dipped Glass colors | <ul style="list-style-type: none"> ○ Clear [CLR] ● New Blue [NBL] ● Olivin [OLV] ● Smoke [SMK] ○ White [WHT] |
| Textured Glass colors | <ul style="list-style-type: none"> ○ Clear [TCL] ● Neutral Gray [NGT] ● Steel Blue [TSB] ● Whiskey [TWS] |
| Metal finishes | <ul style="list-style-type: none"> ● Dark Oxidized [DX] ● Brushed Brass [BB] ● Brushed Nickel [BN] ○ Polished Nickel [PN] |
| Cord Colors | <ul style="list-style-type: none"> ● Black ● Blue ● Gold ● Gray |

