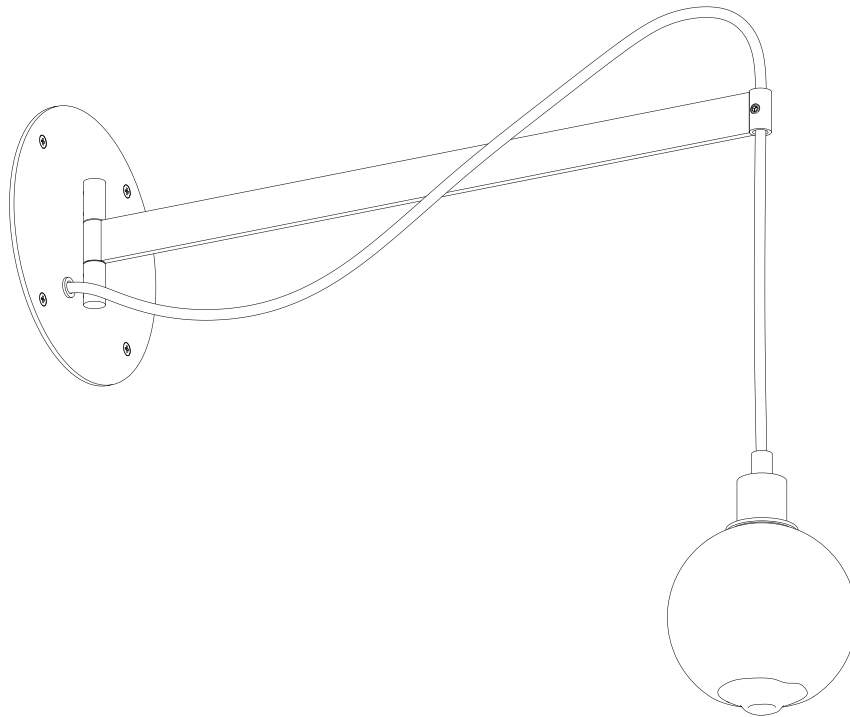


# DRAPE ARM 1.18 SCONCE

## Installation Instructions



**SkLO**

sklo.com

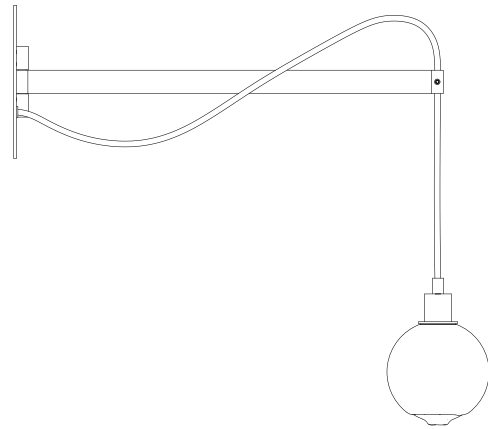
SkLO US 115 WEST NORTH STREET HEALDSBURG CALIFORNIA 95448 USA +1.707.385.2101 us@sklo.com  
SkLO EU VÁŽNÍ 488 500 03 HRADEC KRÁLOVÉ CZECH REPUBLIC +420.495.542.071 eu@sklo.com



# DRAPE ARM 1.18 SCONCE

*Congratulations on your purchase of a SkLO Drape Arm 1.18 Sconce. This product must be installed in accordance with the applicable codes by a person familiar with the construction and operation of the product and the hazards involved, preferably a licensed electrician. Use a maximum 7W bulb.*


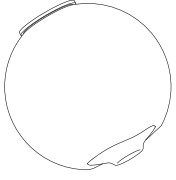
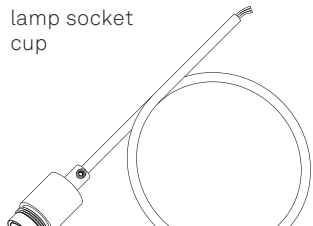
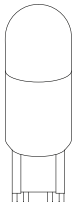
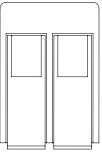
**When unpacking individual items and parts of the light fixture, make sure to lay them out on a protective surface that will neither mar the delicate metal finishes nor scratch the glass. Gloves (nitrile) are provided and must be worn during installation to avoid fingerprints on the finish of the exposed metal parts.**



## FOR WALL MOUNT ONLY

Your SkLO fixture will arrive with the hand-blown glass elements packed separately from the light fixture itself.

## CONTENTS:

Canopy + arm			Strain relief	Wire connector
Screw	Glass element	Cord + lamp socket cup	Light bulb	
4x		1x	1x	2x
				
		1x	1x	1x

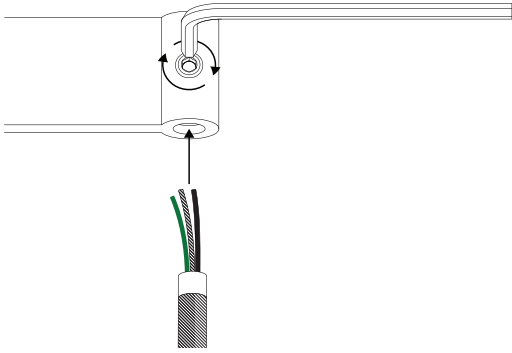


1. Pass the fabric-wrapped cord carefully through the strain relief at the end of the arm. The cord is marked with tape at the position where it should be tightened. Gently tighten the set screw, just enough to support the pendant – do not overtighten or damage the electrical cord and insulation (Figure 1a).
2. Pass the fabric-wrapped electrical cord through the hole in the canopy. Slide the plastic strain relief over the end of the cord and fix the length of the cord by tightening the set screw – do not overtighten or damage the electrical cord and insulation (Figure 1b).
3. Carefully supporting the fixture, connect the exposed leads of the fixture to the exposed leads in the electrical box, following the wiring diagram and using the provided wire connectors. Attach the ground (TE) wires to ground (TE) wires of the light fixture, phase 1 (L1) to phase 1 (L1) of the light fixture, neutral (N) to neutral (N) of the light fixture (Figure 2). Please note the number and type of wire connectors may vary.
4. The canopy installs directly to the pre-drilled holes with inserted anchors (not provided) that are appropriate to the wall material. Align the canopy and carefully supported fixture all the way flush to the wall taking care that no electrical cables or connections are exposed where the canopy meets the wall. Fasten the canopy to the wall by screwing the four provided screws through the countersunk holes provided in the canopy, making sure that the canopy sits flush against the wall finish surface (Figure 3). Take great care when installing screws so that tools do not slip and scratch the canopy finish, or damage the exposed screw head slots.
5. Install the supplied LED light bulb (7W Max) into the socket (Figure 4). This fixture uses G9 socket and light bulb. The G9 is a bi-pin socket. Light bulbs are to be inserted and removed by pushing the bulb straight into the socket, and by pulling it straight out. The bulb, when inserted, should have a tight fit. Do not force the bulb. If there is resistance, check to make sure nothing inside the socket is bent or obstructing the bulb. Always turn off the power to the fixture when changing the bulb. Carefully thread a glass diffuser onto the socket. Thread on the glass diffuser just until it is visually tight – do not overtighten.

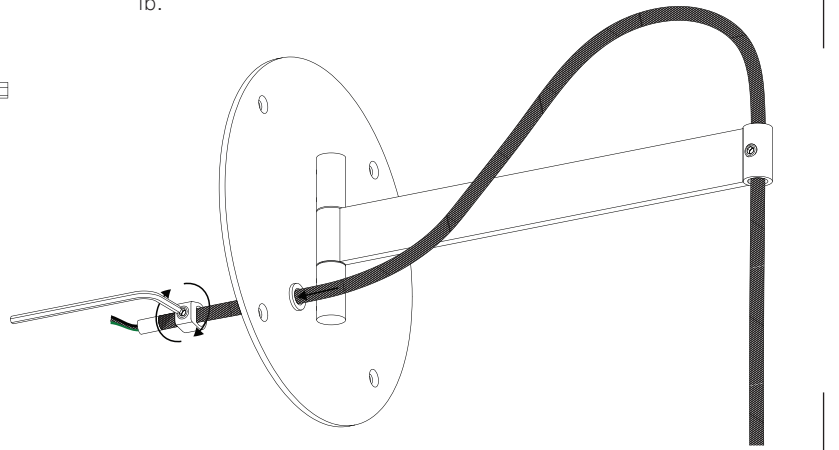
Please note that some parts of the Drape Arm 1.18 differ in size from the parts depicted on the following pages. However, the installation procedure is the same for all models in the Drape Arm 1 family.



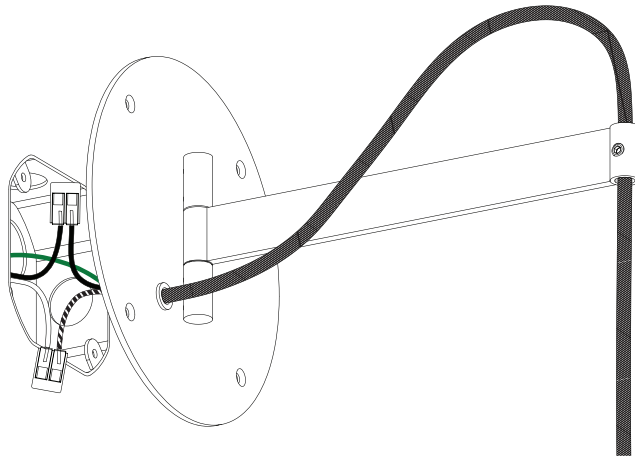
1a.



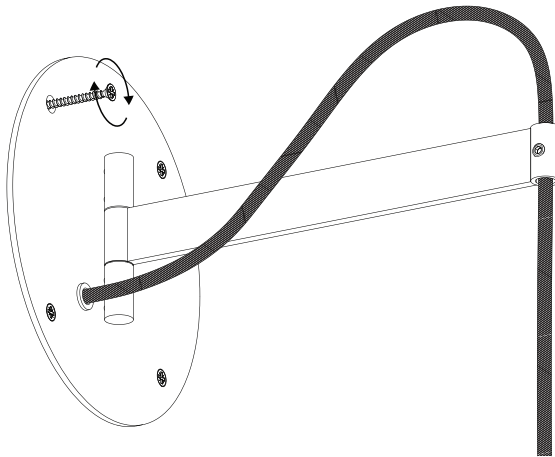
1b.



2.



3.



4.

