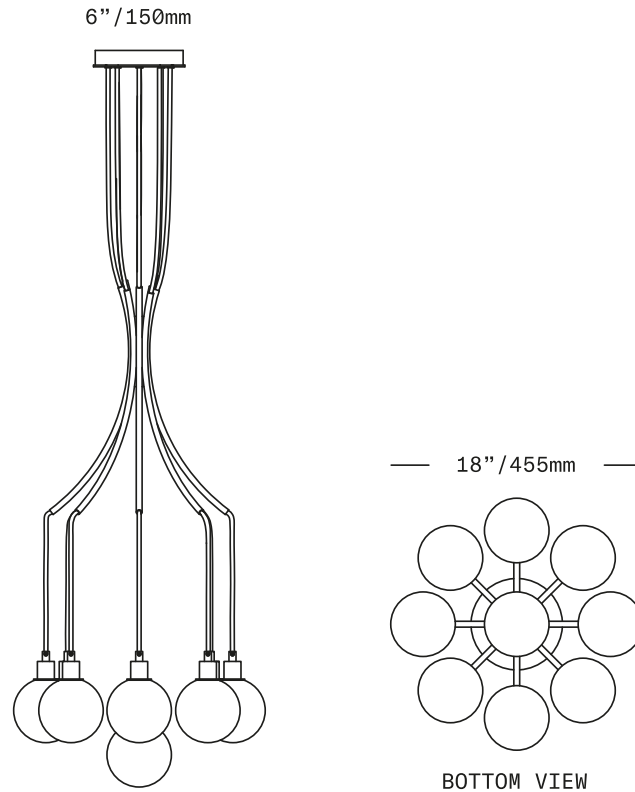


SkLO

Drape Skirt 9

CHANDELIER



The Drape Skirt 9 Chandelier consists of 9 individual pendants gathered and supported by a central brass "skirt" structure. Each pendant features a 4.5"/110mm diameter diffuser of handblown Czech glass suspended on a fabric-wrapped electrical cord. The cords pass through the tubes of the "skirt", and the slight friction created by the cord passing through the bent tubing holds the "skirt" in place. The "skirt" element can be located anywhere along the length of the fixture/cords. The glass diffusers are available in both "dipped" glass, featuring the SkLO double-dipped flame-polished mouth and "textured" glass, featuring a soft, frosted finish and subtle sculpted vertical ridges. Cord lengths are field adjustable.

UL listed suitable for dry and damp locations (US & Canada)

Sockets 120V G9 7W Max

LED bulbs included

Requires recessed electrical box for installation

Accommodates sloped ceilings

Standard cord length 120" (3050mm) – field adjustable – longer lengths available at additional cost

Fixture weight (approximate): 25lbs/11kg

All glass dimensions are approximate – handblown glass dimensions vary by nature and intent

Made in the Czech Republic

LT295 [---][--]

Drape Skirt 9 Chandelier

Dipped Glass colors

- Clear [CLR]
- New Blue [NBL]
- Olivin [OLV]
- Smoke [SMK]
- White [WHT]

Textured Glass colors

- Clear [TCL]
- Neutral Gray [NGT]
- Steel Blue [TSB]
- Whiskey [TWS]

Metal finishes

- Dark Oxidized [DX]
- Brushed Brass [BB]
- Brushed Nickel [BN]
- Polished Nickel [PN]

Cord colors

- Black
- Blue
- Gold
- Gray

