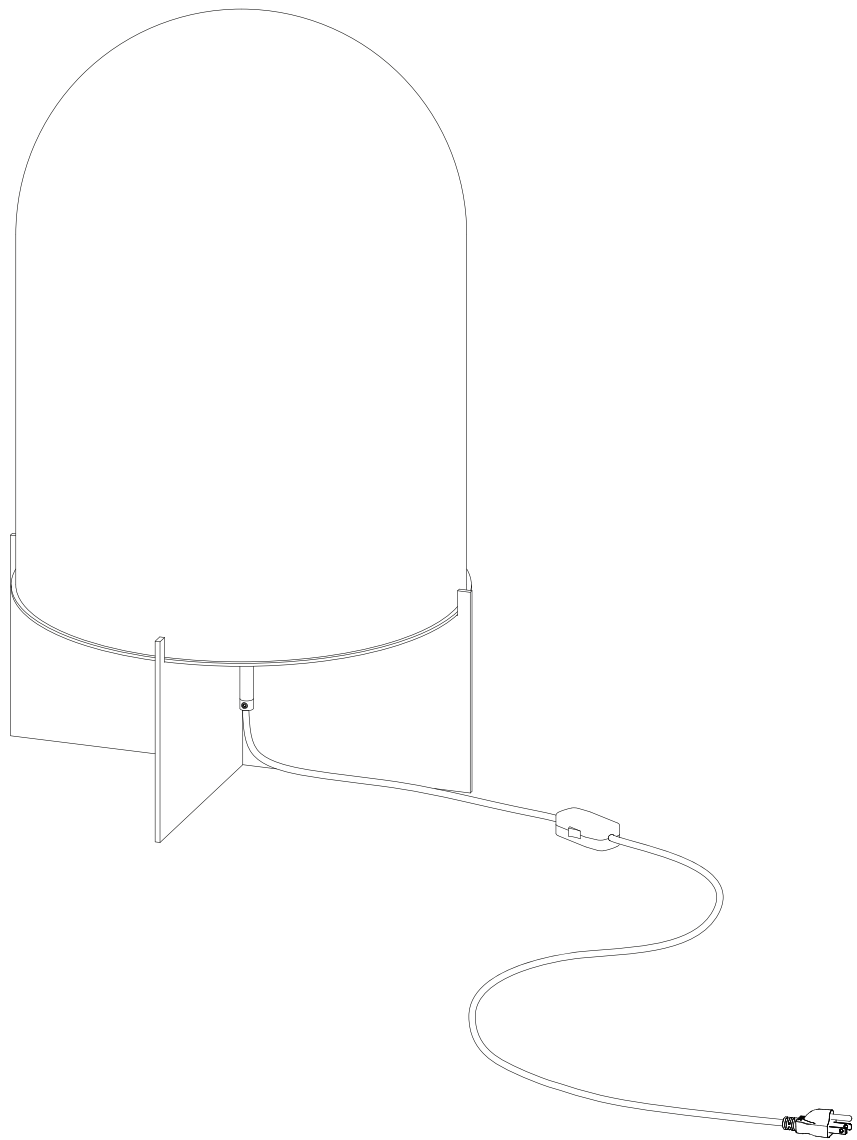




DOME LIGHT

Installation Instructions



SkLO

sklo.com

SkLO US 115 WEST NORTH STREET HEALDSBURG CALIFORNIA 95448 USA +1.707.385.2101 us@sklo.com
SkLO EU VÁŽNÍ 488 500 03 HRADEC KRÁLOVÉ CZECH REPUBLIC +420.495.542.071 eu@sklo.com

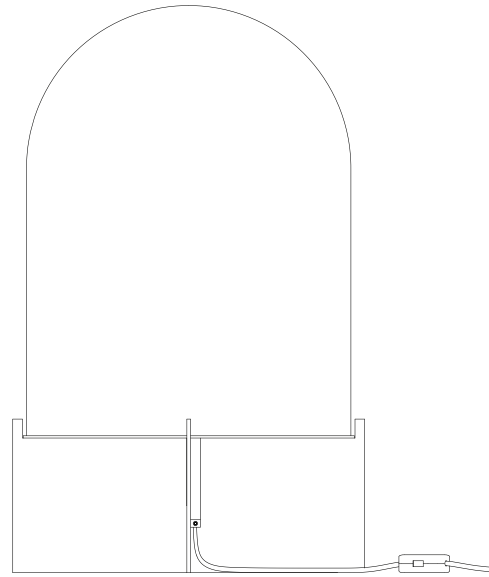


DOME LIGHT

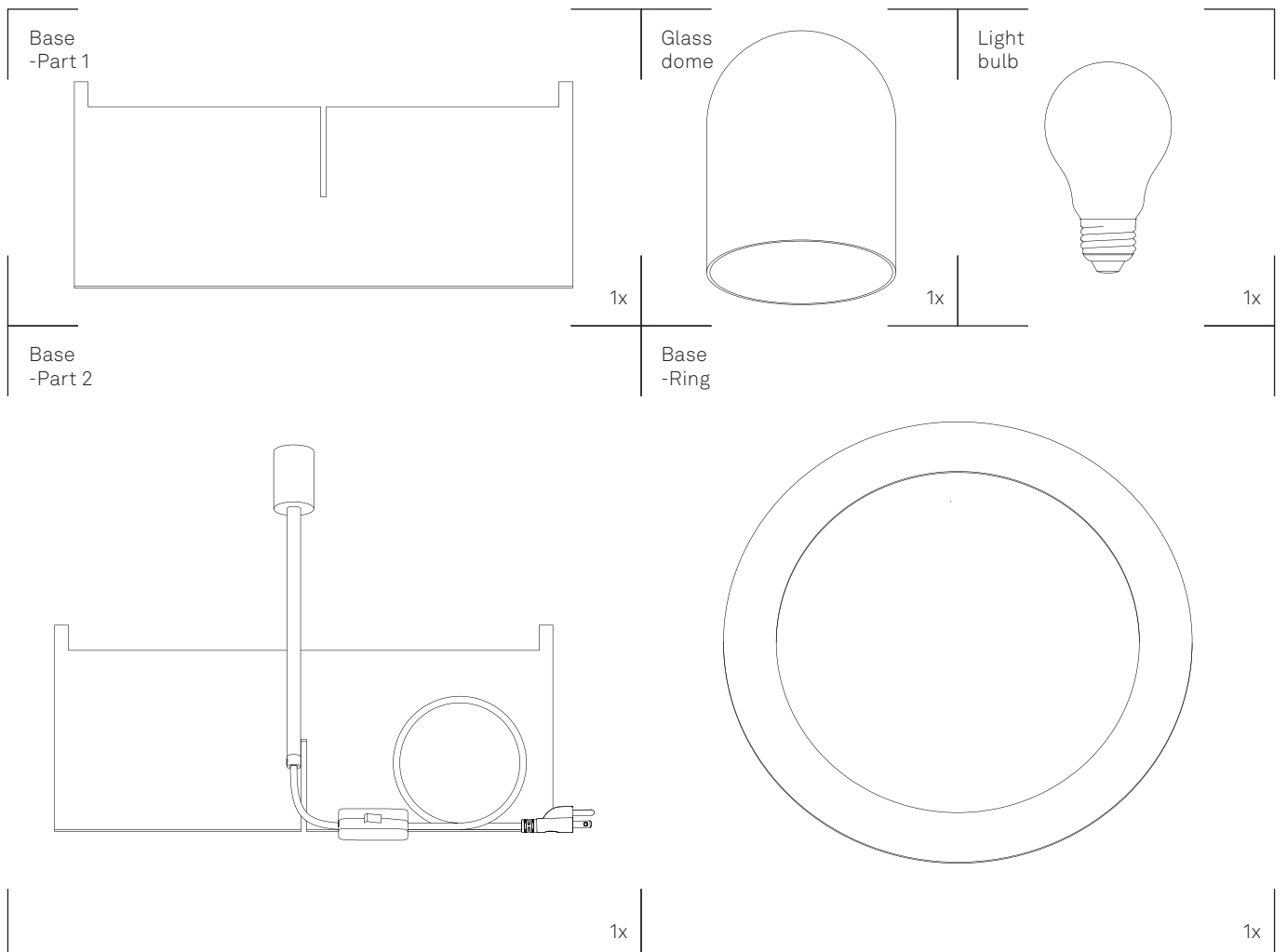
Congratulations on your purchase of a SkLO Dome Light. This product must be installed in accordance with the applicable codes. Use a maximum 60W bulb.

When unpacking individual items and parts of the light fixture, make sure to lay them out on a protective surface that will neither mar the delicate metal finishes nor scratch the glass. Gloves (nitrile) are provided and must be worn during installation to avoid fingerprints on the finish of the exposed metal parts.

Your SkLO fixture will arrive with the hand-blown glass elements packed separately from the light fixture itself.



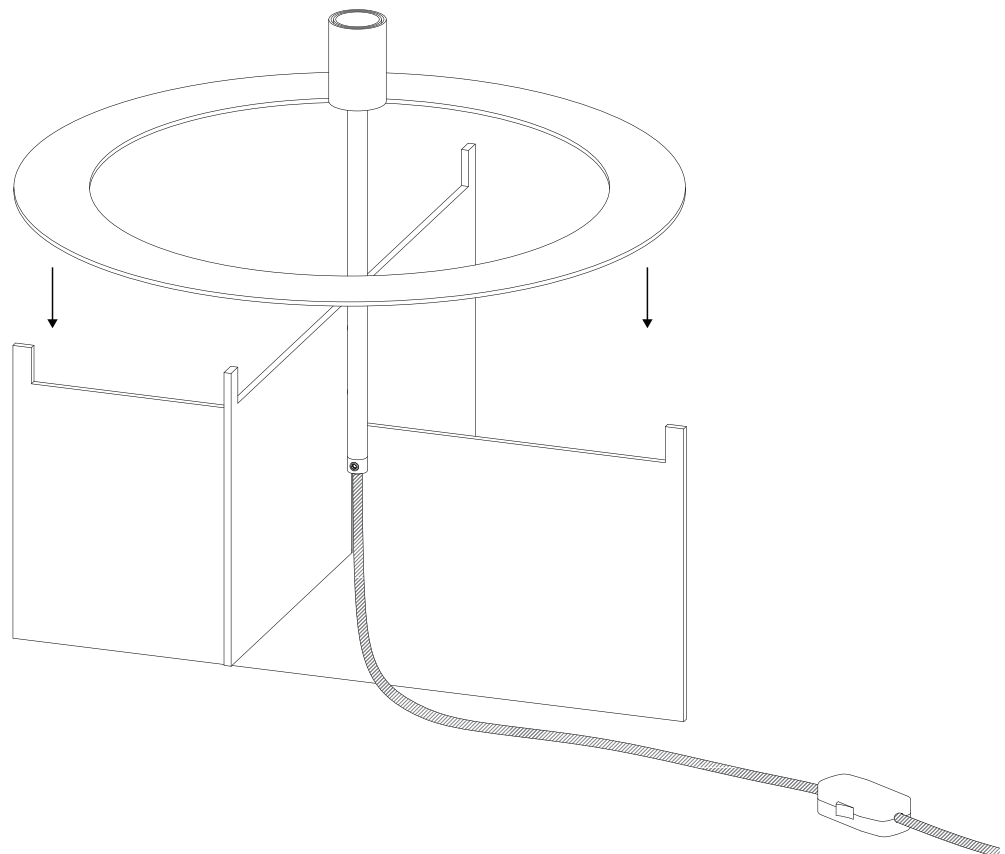
CONTENTS:





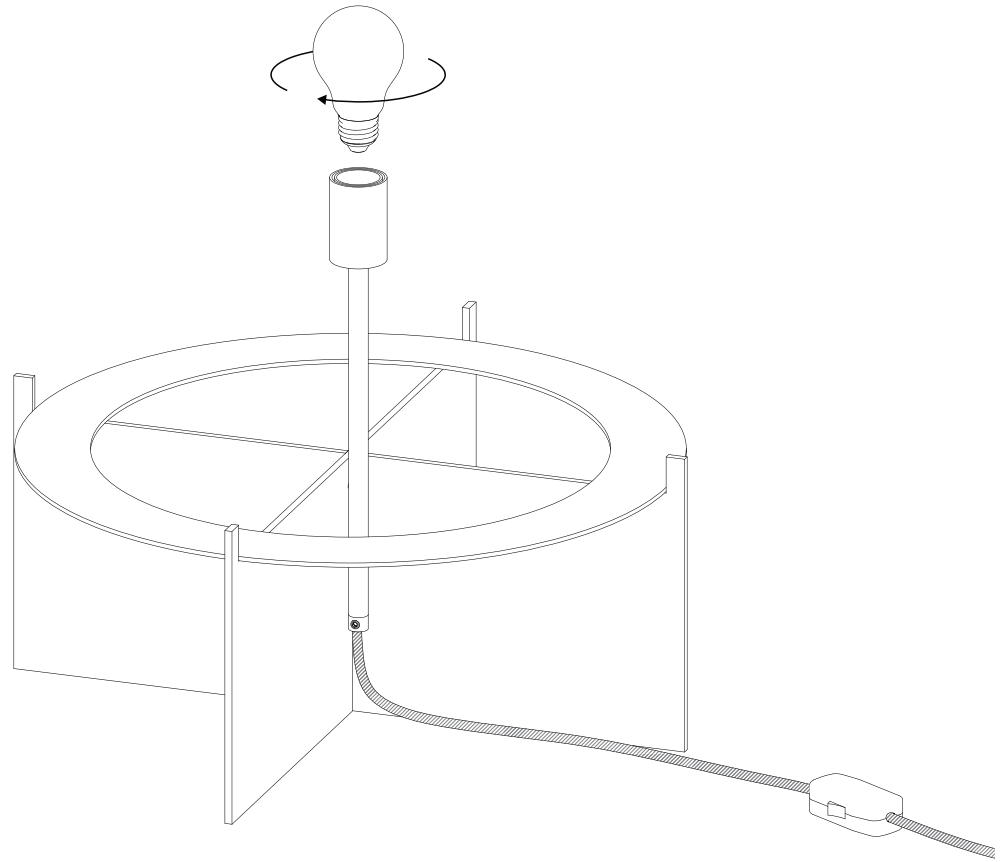
1. Insert Part 2, which includes the stem and socket assembly, into Part 1 of the base using the designated slots. Make sure the two parts fit together perfectly and the upward-facing edges are aligned. Carefully place the ring part on top of the two parts (Figure 1).
2. Install the supplied LED light bulb (60W Max) into the socket (Figure 2).
3. Unwrap the protective packaging from the glass dome. Carefully place the glass dome on top of the base (Figure 3).

1.





2.



3.

