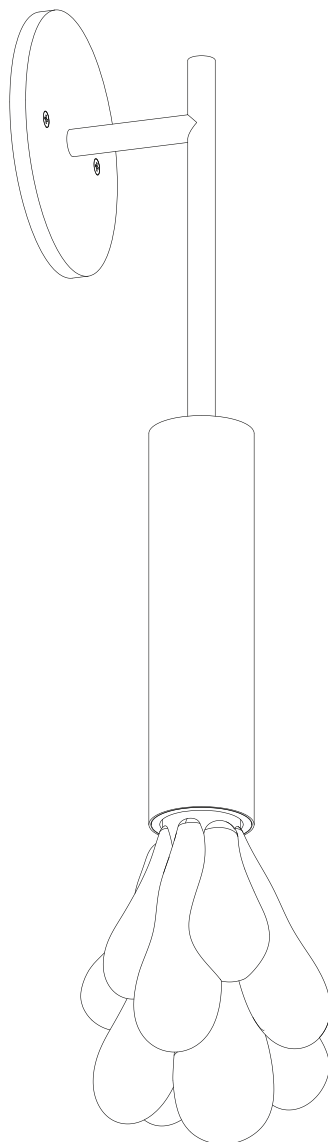




# DEW SCONCE

## Installation Instructions



**SkLO**

sklo.com

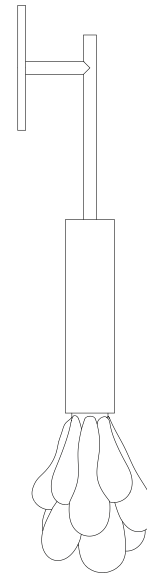
SkLO US 115 WEST NORTH STREET HEALDSBURG CALIFORNIA 95448 USA +1.707.385.2101 us@sklo.com  
SkLO EU VÁŽNÍ 488 500 03 HRADEC KRÁLOVÉ CZECH REPUBLIC +420.495.542.071 eu@sklo.com



# DEW SCONCE

*Congratulations on your purchase of a SkLO Dew Sconce. This product must be installed in accordance with the applicable codes by a person familiar with the construction and operation of the product and the hazards involved, preferably a licensed electrician. Use a maximum 7W bulb.*

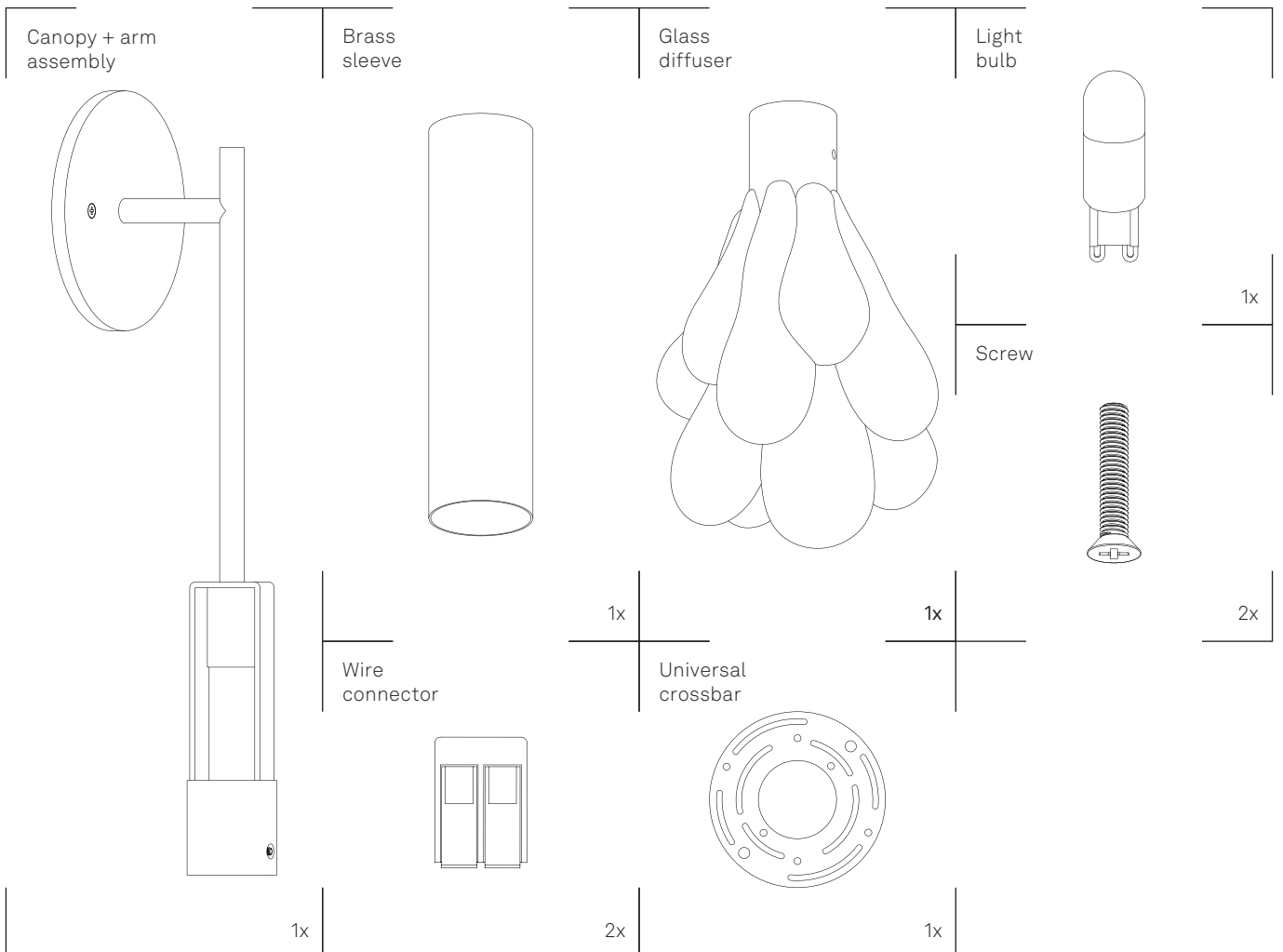
**When unpacking individual items and parts of the light fixture, make sure to lay them out on a protective surface that will neither mar the delicate metal finishes nor scratch the glass. Gloves (nitrile) are provided and must be worn during installation to avoid fingerprints on the finish of the exposed metal parts.**



## FOR WALL MOUNT ONLY

Your SkLO fixture will arrive with the hand-blown glass elements packed separately from the light fixture itself.

## CONTENTS:

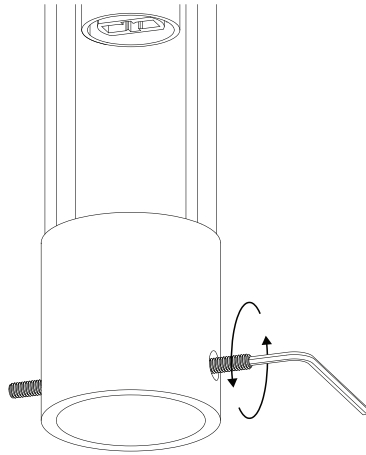




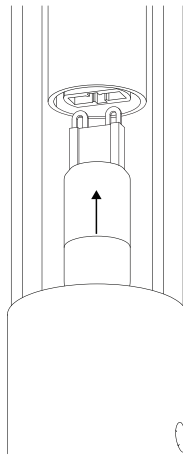
1. Carefully remove the two set screws at the bottom of the assembly and set aside (Figure 1).
2. Install the supplied LED light bulb (7W Max) into the socket (Figure 2). This fixture uses G9 sockets and light bulbs. The G9 is a bi-pin socket. Light bulbs are to be inserted and removed by pushing the bulb straight into the socket, and by pulling it straight out. The bulb, when inserted, should have a tight fit. Do not force the bulb. If there is resistance, check to make sure nothing inside the socket is bent or obstructing the bulb. Always turn off the power to the fixture when changing the bulb(s).
3. Slide the brass sleeve over the arm assembly. While holding it above the threaded holes slide the glass diffuser into the bottom part of the arm assembly and secure it in place with the two set screws. Thread the set screws just until they are aligned with the face of the assembly. Then carefully slide down the sleeve until it sits on the glass diffuser (Figure 3).
4. Install the universal crossbar (provided) to the recessed electrical box with the 8/32 thread screws so that the 8/32 threaded holes spaced 2 3/4" on-center on the crossbar match the desired orientation of the fixture based on the countersunk holes in the canopy (Figure 4).
5. Carefully supporting the fixture, connect the exposed leads of the fixture to the exposed leads in the electrical box, following the wiring diagram and using the provided wire connectors. Attach the ground (TE) wires to ground (TE) wires of the light fixture, phase 1 (L1) to phase 1 (L1) of the light fixture, neutral (N) to neutral (N) of the light fixture (Figure 5). Please note the number and type of wire connectors may vary.
6. The canopy installs directly to the crossbar. The back of the canopy is recessed to fit over the crossbar and sit flush against the wall finish surface. Take care that no electrical cables or connections are exposed where the canopy meets the wall. Fasten the canopy by screwing the two provided 1" long 8/32 thread machine screws directly into the 8/32 threaded holes spaced 2 3/4" on-center on the crossbar through the countersunk holes provided in the canopy, making sure that the canopy sits flush against the wall finish surface (Figure 6). Take great care when installing machine screws so that tools do not slip and scratch the canopy finish, or damage the exposed screw head slots.



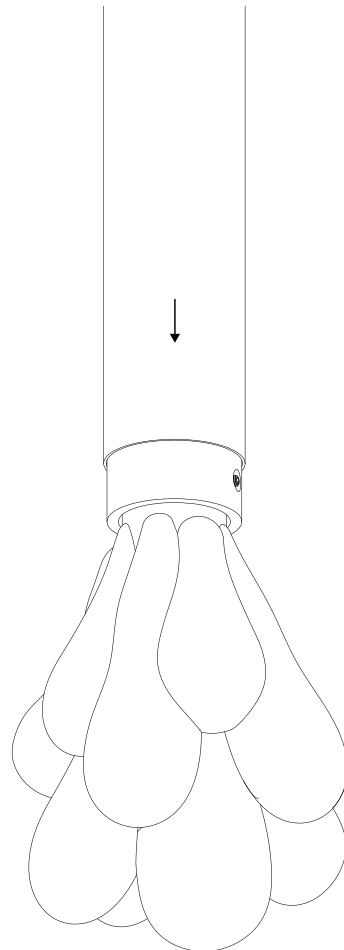
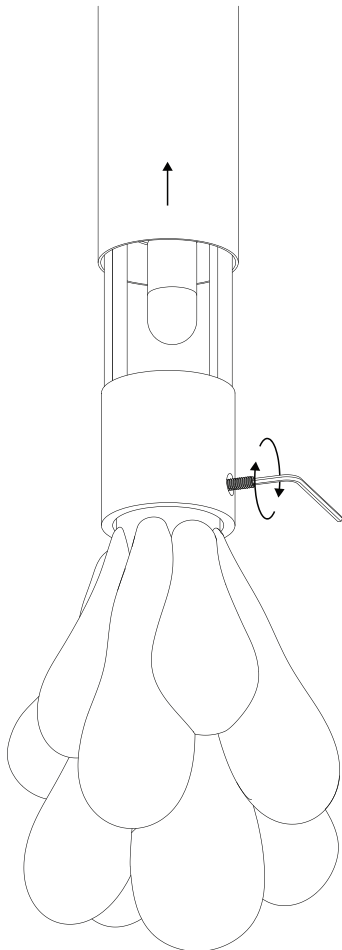
1.



2.

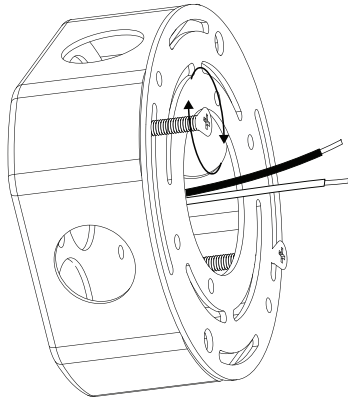


3.

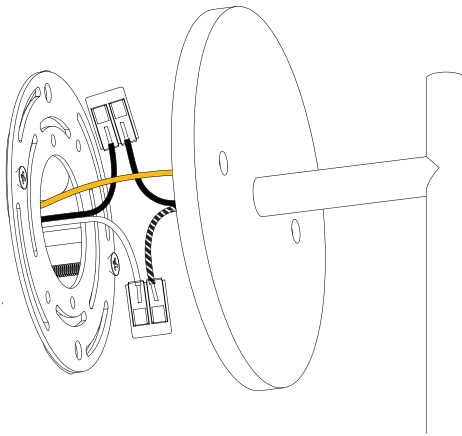




4.



5.



6.

