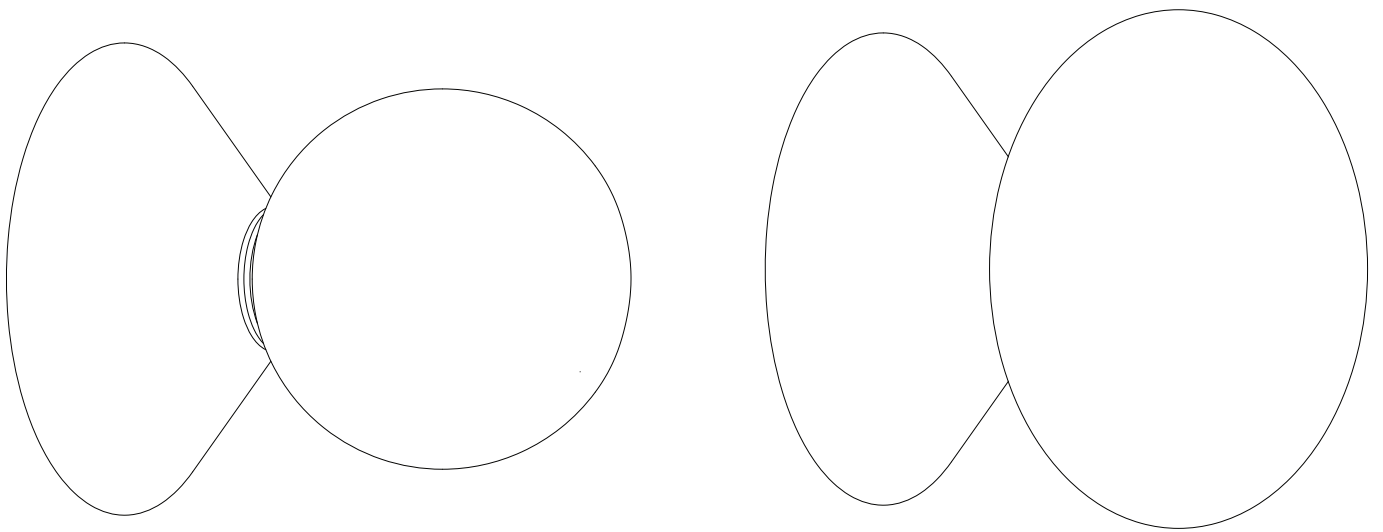




PEAK SCONCE/CEILING

Installation Instructions



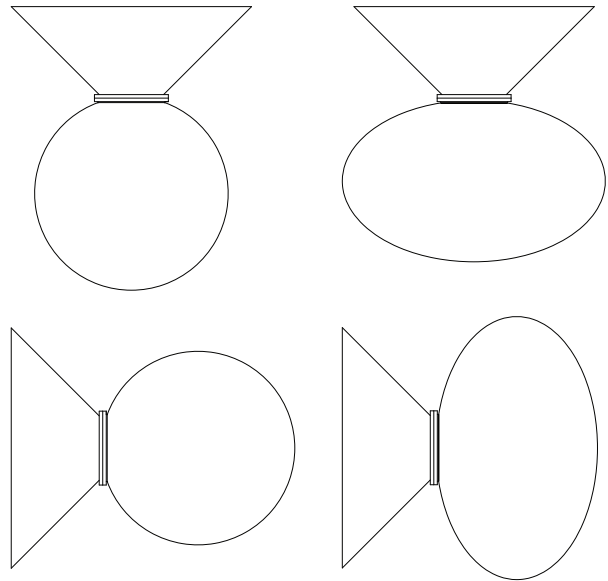


PEAK SCONCE/CEILING

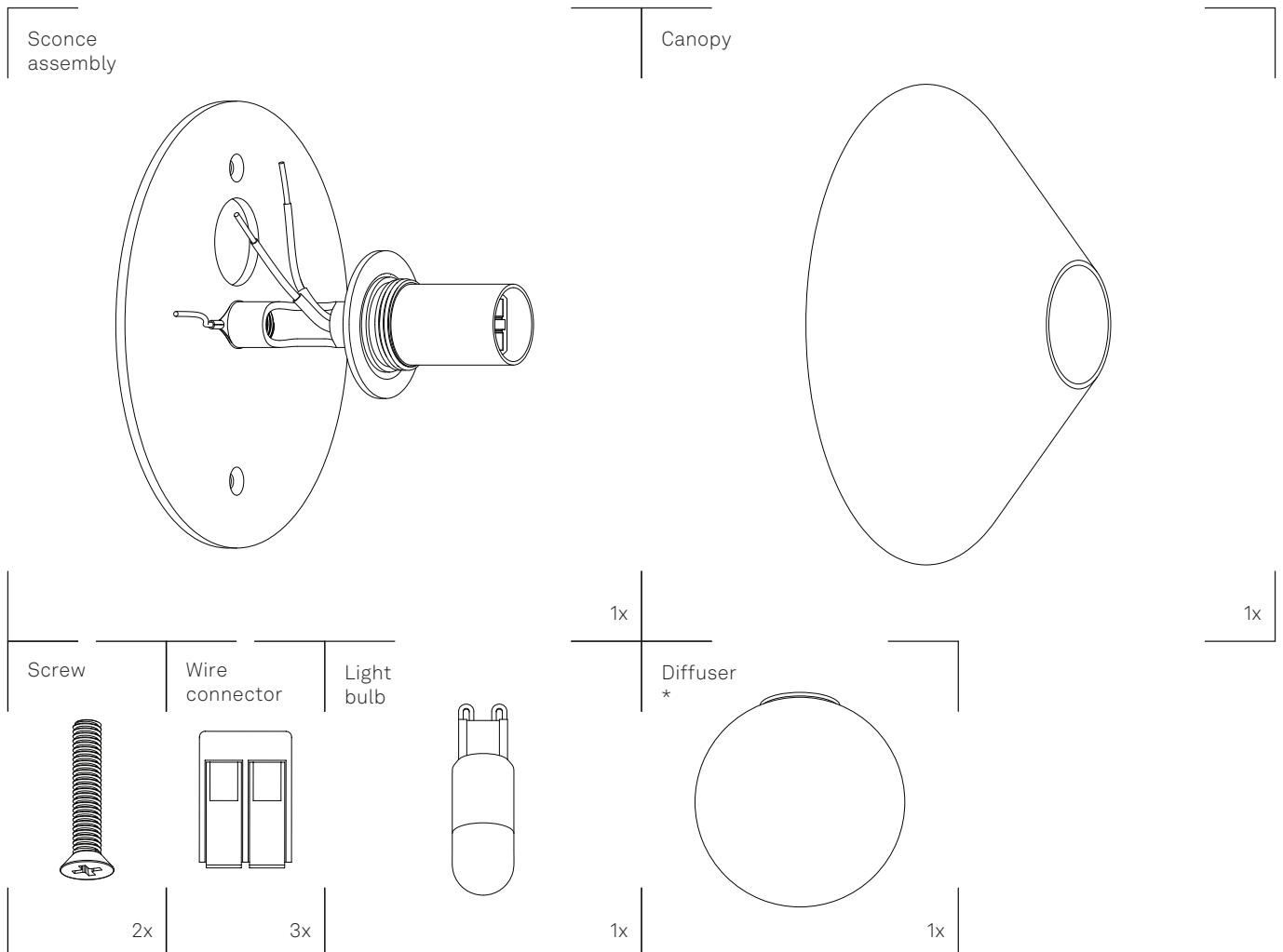
Congratulations on your purchase of a SkLO Peak Sconce/Ceiling. This product must be installed in accordance with the applicable codes by a person familiar with the construction and operation of the product and the hazards involved, preferably a licensed electrician. Use a maximum 7W bulb.

When unpacking individual items and parts of the light fixture, make sure to lay them out on a protective surface that will neither mar the delicate metal finishes nor scratch the glass. Gloves (nitrile) are provided and must be worn during installation to avoid fingerprints on the finish of the exposed metal parts.

Your SkLO fixture will arrive with the hand-blown glass elements packed separately from the light fixture itself.



CONTENTS:



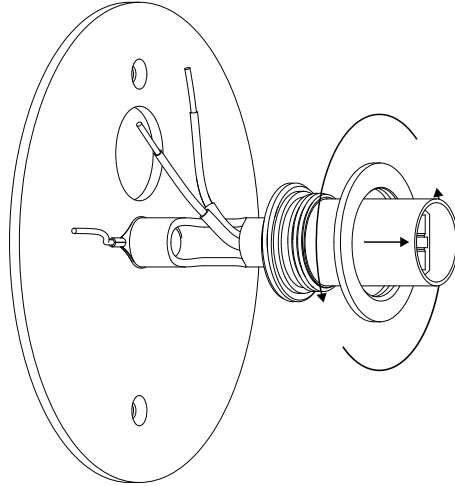
* Type of the diffuser differs based on customer's specification



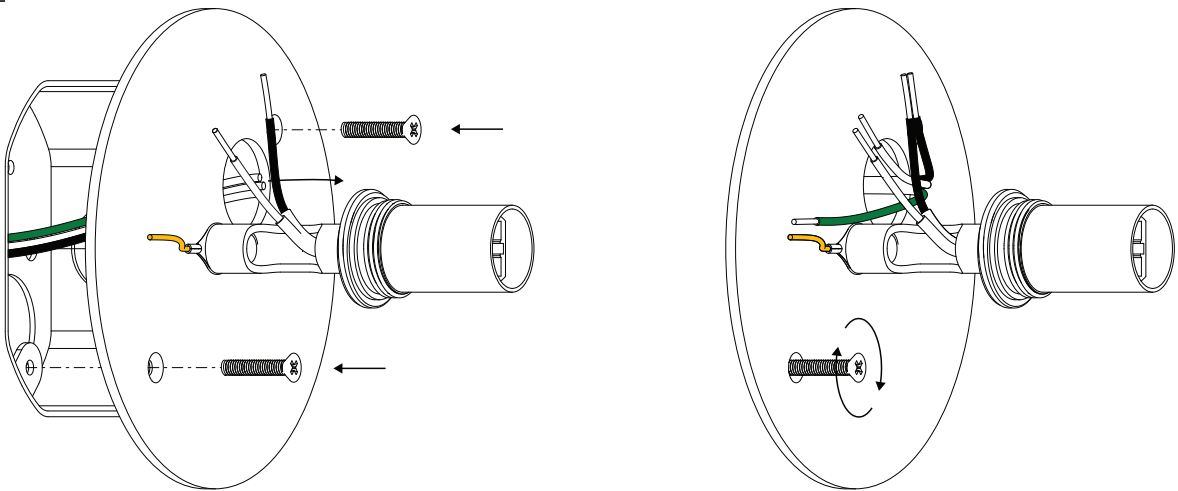
1. Disassemble the sconce assembly by unscrewing the circular nut. Lay out the individual parts of the sconce assembly on a clean surface (Figure 1).
2. This sconce light requires an electrical box with available holes at 3 1/2" on center spacing. If a box with differently spaced threaded holes is present, additional parts may be required to install the fixture properly, such as a universal cross bar (not supplied). The sconce assembly installs directly to the recessed electrical box. Feed the wires from the electric box through the opening in the mounting plate part of the sconce assembly. Install the sconce assembly by fastening the two supplied 8/32 thread brass machine screws directly into the appropriate holes in the electrical box through the holes and guides provided as part of the mounting plate, making sure that the mounting plate sits flat and flush against the finish surface. Take care that no electrical cables or connections are exposed where the mounting plate meets the ceiling finish surface (Figure 2).
3. Carefully supporting the fixture, connect the exposed leads of the fixture to the exposed leads in the electrical box, following the wiring diagram and using the provided wire connectors. Attach the ground (TE) wires to ground (TE) wires of the light fixture, phase 1 (L1) to phase 1 (L1) of the light fixture, neutral (N) to neutral (N) of the light fixture (Figure 3). Please note the number and type of wire connectors may vary.
4. Install the supplied LED light bulb (7W Max) into the socket. This fixture uses a G9 socket and light bulb. Light bulbs are to be inserted and removed by pushing the bulb straight into the socket, and by pulling it straight out. The bulb, when inserted, should have a tight fit. Do not force the bulb. If there is resistance, check to make sure nothing inside the socket is bent or obstructing the bulb. Always turn off the power to the fixture when changing the bulb (Figure 4).
5. Carefully slide the cone part over the fixture and flush it to the wall/ceiling surface. Take care that no electrical cables or connections are exposed where the canopy meets the wall/ceiling (Figure 5a). Fasten the canopy by tightening the ring nut onto the exposed thread on the sconce assembly. Do not overtighten (Figure 5b).
6. Unwrap and carefully thread a glass diffuser onto the socket (Figure 6). Thread on the glass diffusers just until they are visually tight – do not overtighten.



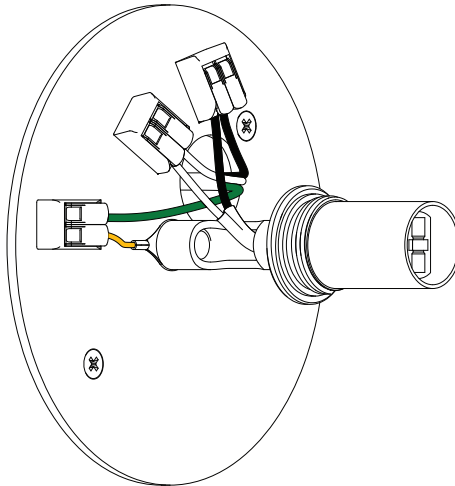
1.



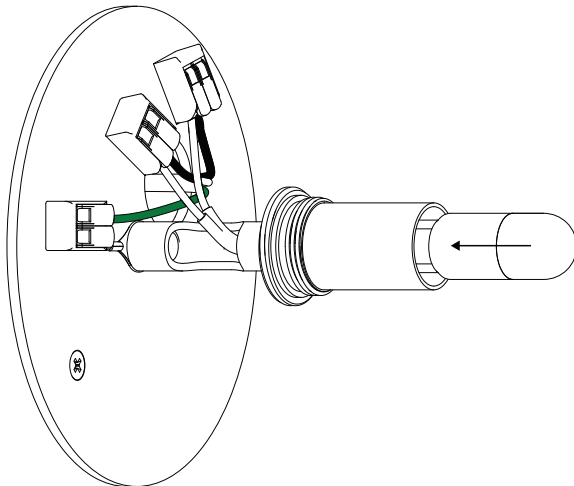
2.



3.

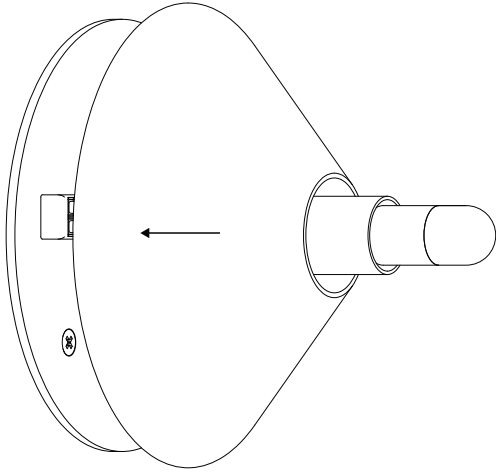


4.

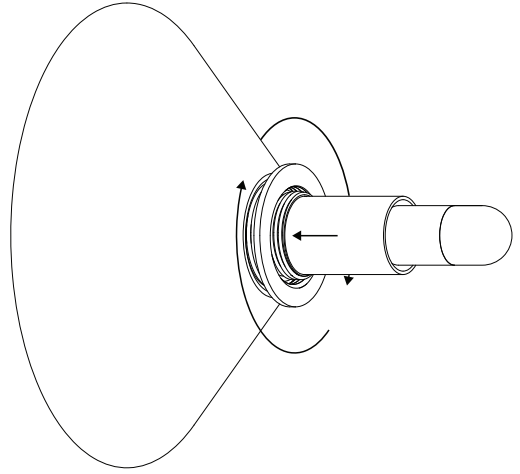




5a.



5b.



6.

