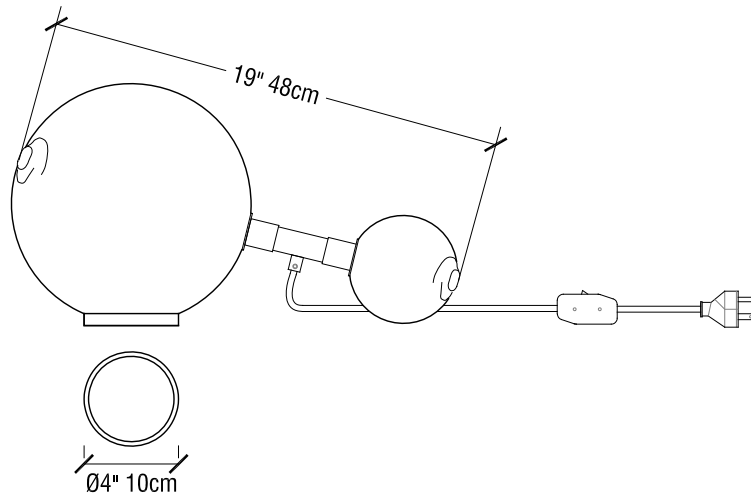


twice light



Twice consists of two lit spheres of handblown Czech glass connected by a cylindrical brass armature. Two different diameter spheres make for an asymmetrical light: one sphere is 4 1/2" (11 cm) diameter, the other is 10" (25cm) diameter. A 4 1/2" (11cm) diameter brass ring is included with the light and can be used under the larger sphere to stabilize the light – use of the ring is optional. The glass spheres each feature an off-center double-dipped fire-polished mouth where the piece is broken from the blower's pipe, making each unique. The central cylinder houses the sockets, with the bulbs accessible by unthreading the glass from the socket.

Sockets: 120V E12 (candelabra) 7W Max (G9 sockets available on request)
 6 ft (180cm) black fabric-wrapped cord with in-line switch
 Bulbs included

Standard metal finishes: dark oxidized / brushed brass (other finishes available on request)
 Available in two glass color combinations: all white / two color transparent smoke palette
 All glass dimensions are approximate – handblown glass dimensions vary by nature and intent
 Handblown in the Czech Republic

glass colors: smoke palette-PSM white-WHT

LT190 --- twice light dark oxidized
LT190 --- B twice light brushed brass

19"W (48cm)

19"W (48cm)

