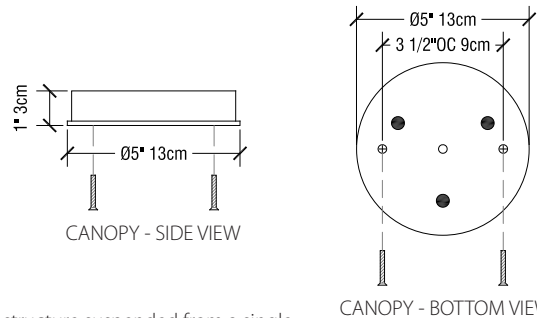
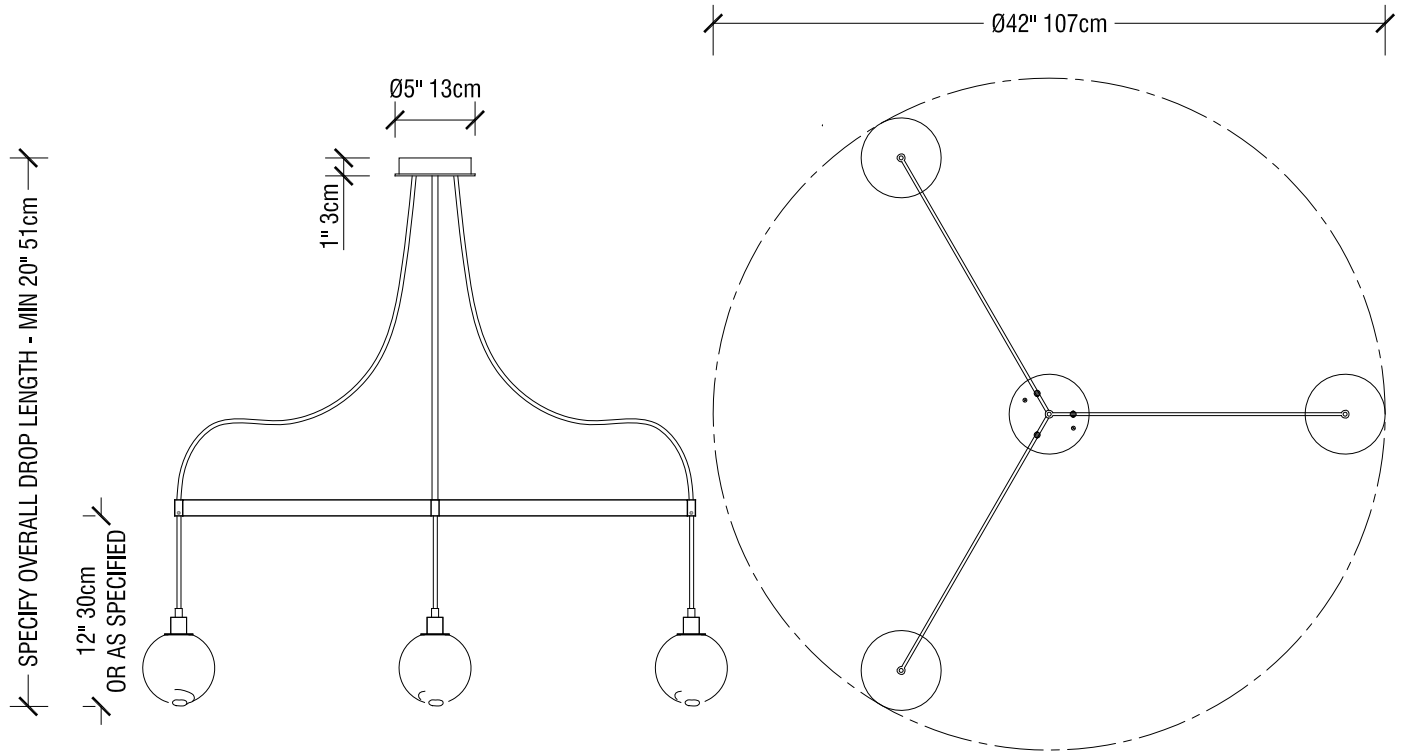


drape arm 3 pendant



The *drape arm 3* pendant consists of 3 individual pendants hung from a 3-arm brass structure suspended from a single canopy. Each individual pendant is a 4 1/2" (11 cm) diameter sphere of handblown Czech glass suspended on a fabric-wrapped electrical cord. The exposed cords issue from the canopy and pass through the individual arms. The spherical glass diffusers feature the signature SkLO double-dipped, fire-polished mouths which show where the glass is broken from the blower's pipe, making each unique.

UL LISTED SUITABLE FOR DAMP LOCATIONS (US & CANADA)
 Sockets: 120V E12 (candelabra) 7W Max (G9 sockets available on request)
 Canopy: Brass canopy with exposed fasteners. Recessed steel electrical box required for installation
 Specify overall drop length – see drawing for additional required specification
 Minimum overall drop length is 20" (51cm). Lengths over 50" (127cm) available at additional cost
 Specify fabric-wrapped electrical cord color: black, blue, gold, or gray
 Bulbs included

Standard metal finishes: dark oxidized / brushed brass (other finishes available on request)
 Five glass colors available (including clear)
 Four fabric-wrapped electrical cord colors available
 All glass dimensions are approximate – handblown glass dimensions vary by nature and intent
 Handblown in the Czech Republic

transparent colors:



clear-CLR



olivin-OLV



smoke-SMK

opaque colors:



new blue-NBL



white-WHT

LT360 --- drape arm 3 pendant dark oxidized
 LT360 --- B drape arm 3 pendant brushed brass

42" Dia (107cm)
 42" Dia (107cm)

cord colors available



black blue gold gray

