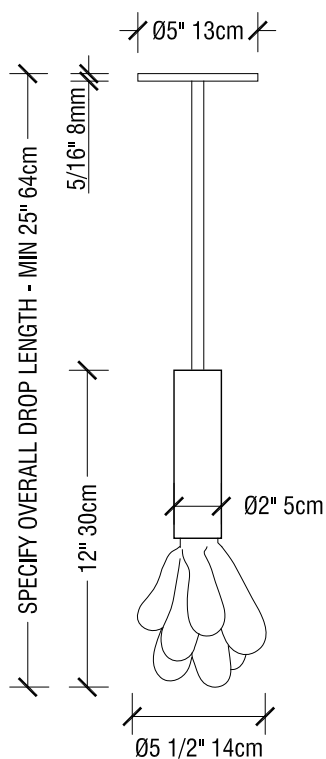


# dew pendant



The *dew* pendant is an intense expression of the molten nature of handblown glass. For a diffuser, the *dew* pendant features a solid sculpted glass shape composed of layers of glass applied while hot, giving it a "dripping" appearance. The glass is permanently attached to the solid brass armature, which is hidden behind a brass cylinder. The light bulb is changed by simply lifting the brass cylinder upwards to access the socket. Note that the fixture also "uplights" slightly through the open top of the cylinder. The glass diffuser element is available in either clear glass or sandblasted glass, for two very different effects.

German Design Award Winner 2020 – Excellent Product Design

UL LISTED SUITABLE FOR DAMP LOCATIONS (US & CANADA)

Socket: 120V E12 (candelabra) 7W Max (G9 socket available on request)

Canopy: Brass canopy with exposed fasteners. Recessed steel electrical box required for installation

Pendant suspended from canopy on rigid brass stem (not field adjustable)

Specify overall drop length

Minimum overall drop length is 25" (64cm). Lengths over 50" (127cm) available at additional cost

Bulb included

Standard metal finishes: dark oxidized / brushed brass (other finishes available on request)

Two glass colors available (including clear)

All glass dimensions are approximate – handblown glass dimensions vary by nature and intent

Handblown in the Czech Republic

glass colors: clear-CLR sandblasted-SBT

**LT410 --- dew pendant** dark oxidized

5.5"Dia (14cm)

**LT410 --- B dew pendant** brushed brass

5.5"Dia (14cm)

