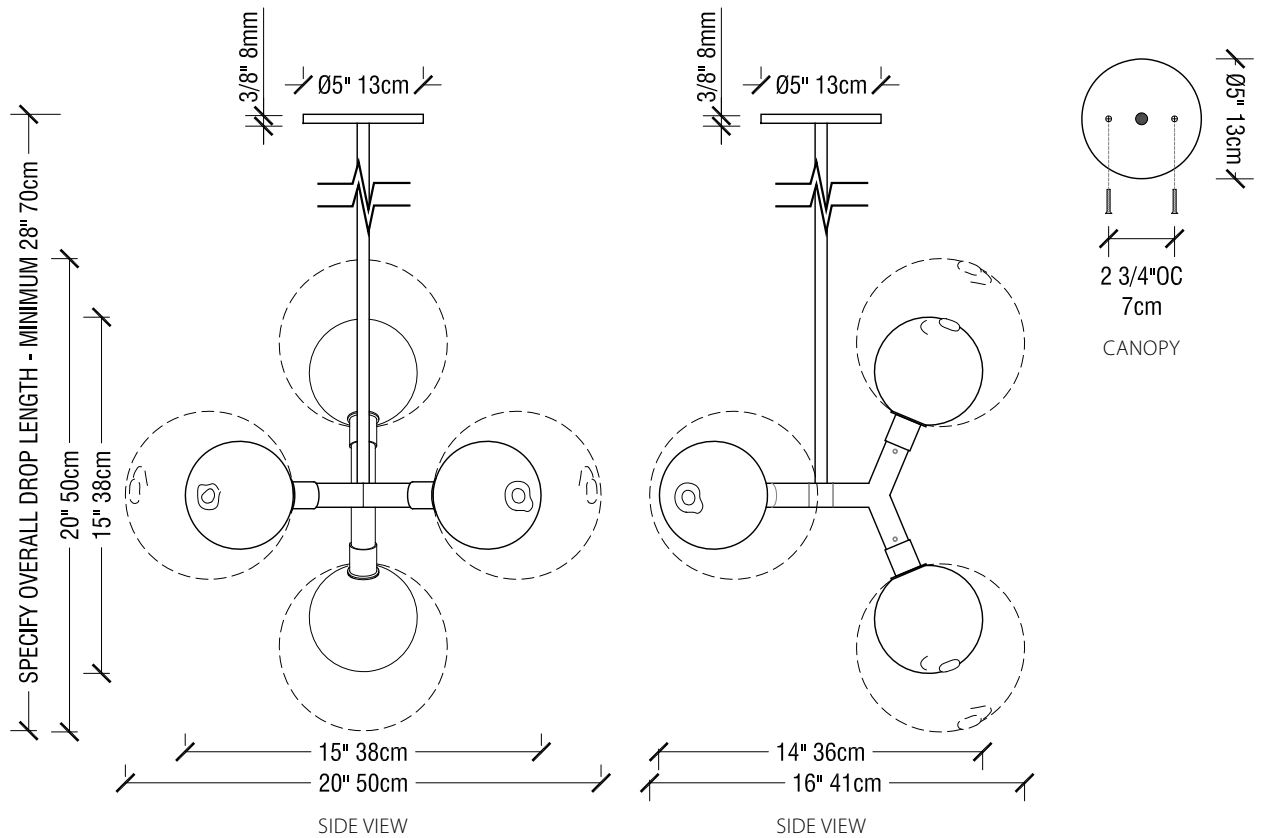


veer pendant



The *veer* pendant consists of four lit spheres of handblown Czech glass mounted on a four-arm brass structure and suspended on a rigid brass stem. The glass is available in two sizes – 4 1/2" (11cm) or 7" (18cm) in diameter – and five glass colors. The glass features the signature SkLO double-dipped, fire-polished mouths which show where the glass is broken from the blower's pipe, making each unique.

UL LISTED SUITABLE FOR DAMP LOCATIONS (US & CANADA)

Sockets: 120V E12 (candelabra) 7W Max (G9 socket available on request)

Canopy: Brass canopy with exposed fasteners. Recessed steel electrical box required for installation

Pendant suspended from canopy on rigid brass stem – not field adjustable

Specify overall drop length

Minimum overall drop length is 28" (70cm). Lengths over 60" (155cm) available at additional cost

Bulbs included

Standard metal finishes: dark oxidized / brushed brass (other finishes available on request)

Five glass colors available (including clear)

All glass dimensions are approximate – handblown glass dimensions vary by nature and intent

Handblown in the Czech Republic

transparent colors:



clear-CLR



olivin-OLV



smoke-SMK

opaque colors:



new blue-NBL



white-WHT

LT385 ---	veer pendant dark oxidized	4.5"Dia (11cm) glass	15"W (38cm)	14"D (36cm)
LT385 --- B	veer pendant brushed brass	4.5"Dia (11cm) glass	15"W (38cm)	14"D (36cm)
LT386 ---	veer pendant dark oxidized	7"Dia (18cm) glass	20"W (50cm)	16"D (41cm)
LT386 --- B	veer pendant brushed brass	7"Dia (18cm) glass	20"W (50cm)	16"D (41cm)

