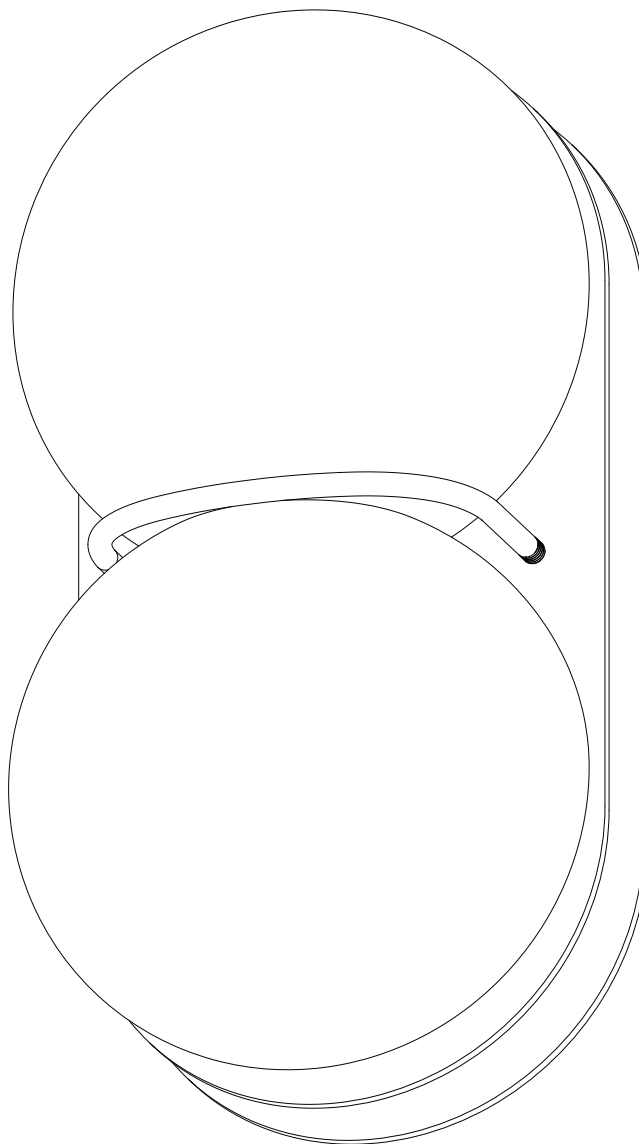




TWIN 2.0 SCONCE/CEILING

Installation Instructions



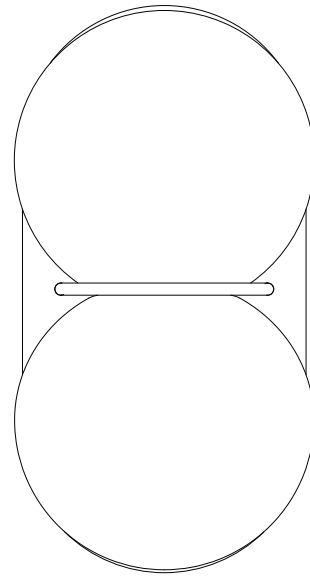


TWIN 2.0 SCONCE/CEILING

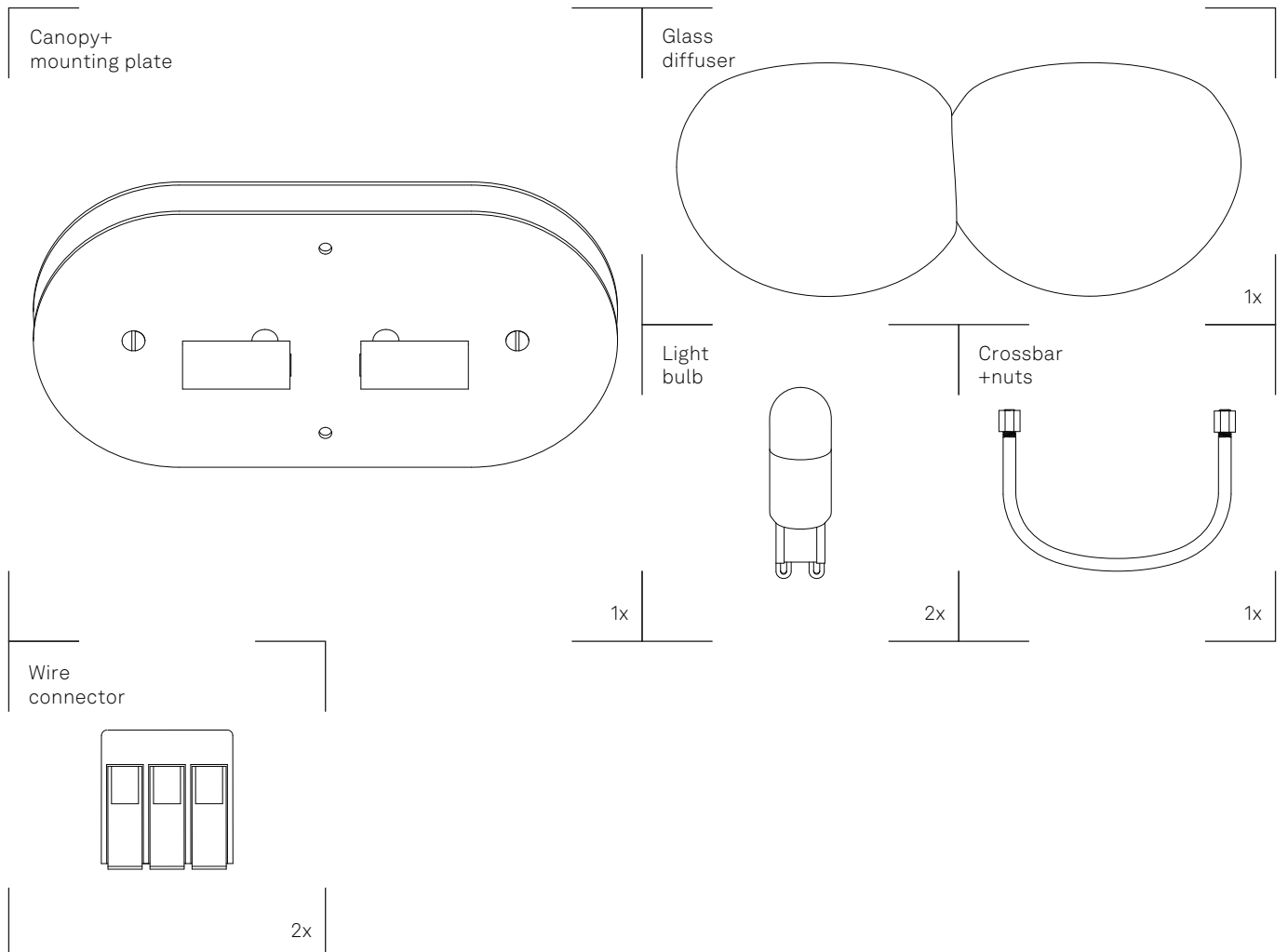
Congratulations on your purchase of a SkLO Twin 2.0 Sconce/Ceiling. This product must be installed in accordance with the applicable codes by a person familiar with the construction and operation of the product and the hazards involved, preferably a licensed electrician. Use a maximum 20W bulb.

When unpacking individual items and parts of the light fixture, make sure to lay them out on a protective surface that will neither mar the delicate metal finishes nor scratch the glass. Gloves (nitrile) are provided and must be worn during installation to avoid fingerprints on the finish of the exposed metal parts.

Your SkLO fixture will arrive with the hand-blown glass elements packed separately from the light fixture itself.



CONTENTS:

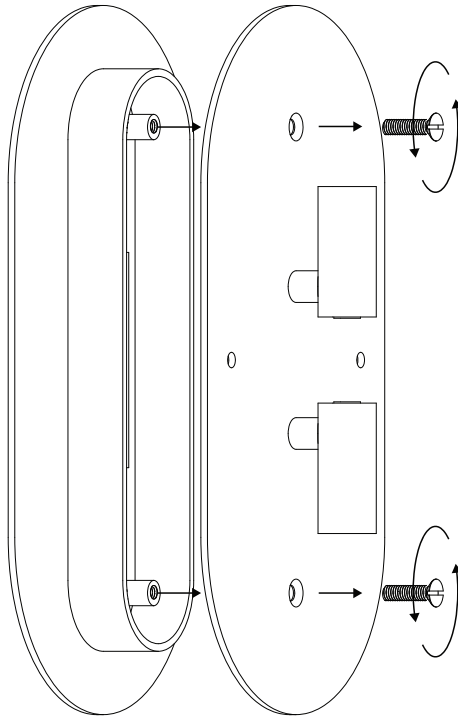




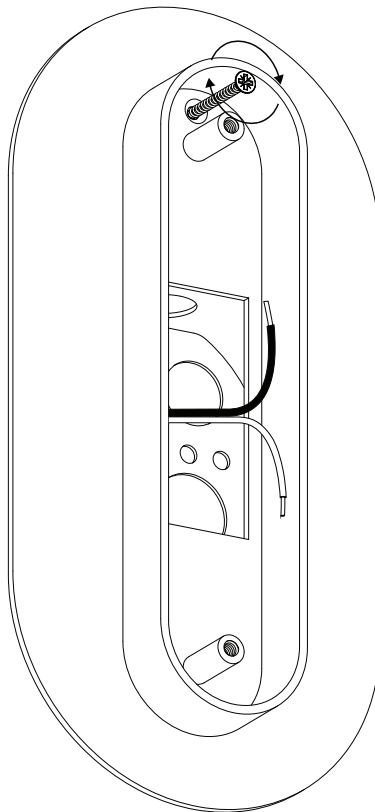
1. The mounting plate will arrive fastened to the canopy. Separate the mounting plate from the canopy by carefully removing the two machine screws and set these aside for use during final installation (Figure 1).
2. Determine the final desired position and orientation of the fixture. Position the mounting plate over the recessed electrical box in a way that the central opening in the plate and the box are aligned. Install the mounting plate directly to the wall/ceiling using fasteners/anchors (not provided) that are appropriate to the wall/ceiling material being fastened to. Make sure that the mounting plate sits flush against the finish surface (Figure 2).
3. Carefully supporting the canopy, connect the exposed leads of the fixture to the exposed leads in the electrical box, following the wiring diagram and using the provided wire connectors. Attach the ground (TE) wires to ground (TE) wires of the light fixture, phase 1 (L1) to phase 1 (L1) of the light fixture, neutral (N) to neutral (N) of the light fixture. Please note the number and type of wire connectors may vary. Fasten the canopy to the plate by screwing the two provided screws through the countersunk holes in the canopy into the two threaded stand-offs on the mounting plate (Figure 3). Make sure that no electrical cables or connections are exposed where the canopy meets the plate. Take great care when installing screws so that tools do not slip and scratch the canopy finish, or damage the exposed screw head slots.
4. Install the supplied LED light bulbs (20W Max) into the sockets (Figure 4).
5. Unwrap and lay out the glass diffuser. Carefully fit the glass diffuser over light bulbs so that it sits flush against the brass canopy surface. Secure the glass in place by inserting the crossbar into holes on each side of the canopy and securing the crossbar with provided nuts (Figure 5).



1.

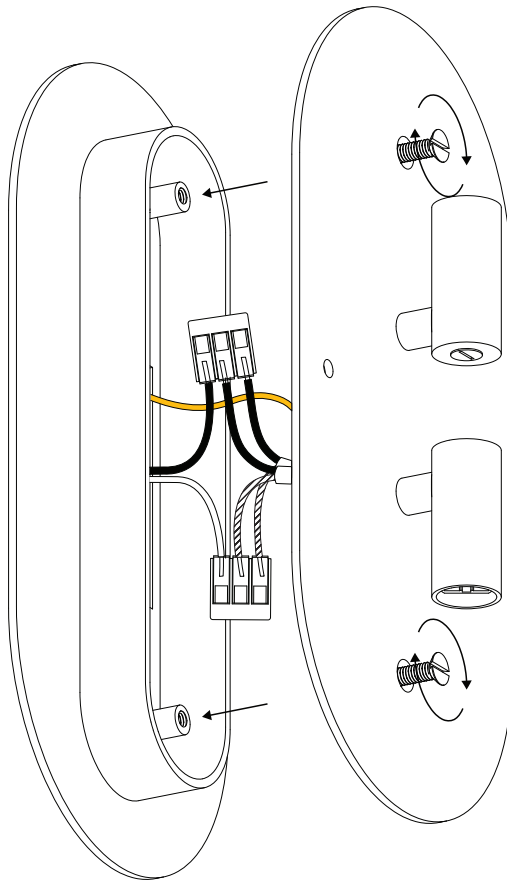


2.

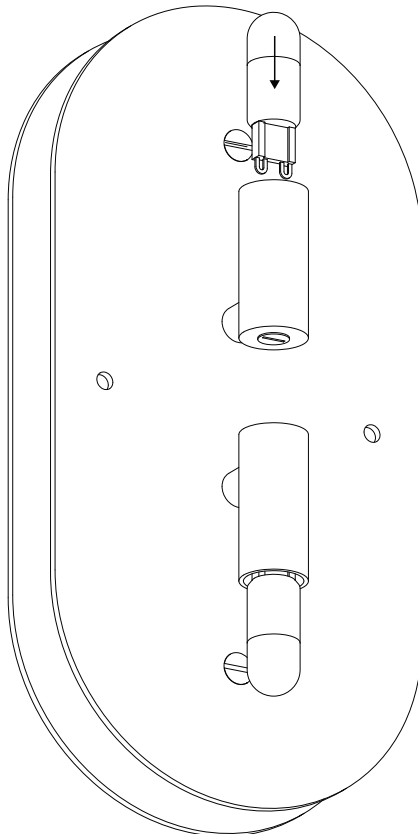




3.

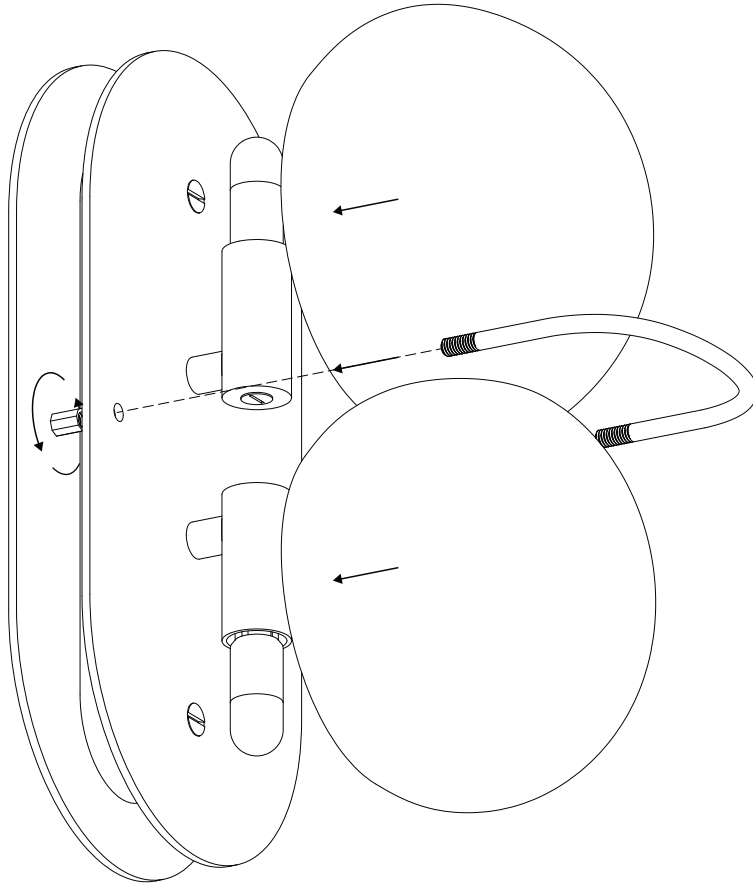


4.





5.



September 2024