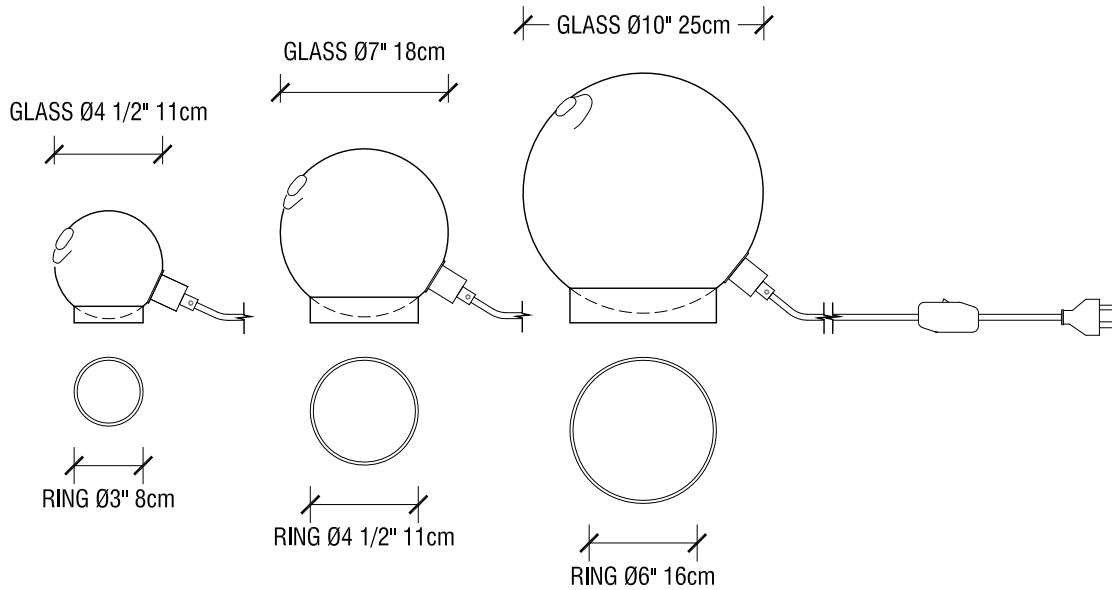


once light



The *once* light consists of a single lit sphere of handblown Czech glass which rests atop a brass ring. Available in three different glass sizes – 4 1/2" (11cm), 7" (18cm) and 10" (25cm) diameter – and five glass colors. The rings are included, and each ring is sized to match the glass size. The glass spheres each feature an off-center double-dipped fire-polished mouth where the piece is broken from the blower's pipe, making each unique.

Socket: 120V E12 (candelabra) 7W Max (G9 sockets available on request)
 6 ft (180cm) black fabric-wrapped cord with in-line switch
 Bulb included

Standard metal finishes: dark oxidized / brushed brass (other finishes available on request)

Five glass colors available (including clear)

All glass dimensions are approximate – handblown glass dimensions vary by nature and intent

Handblown in the Czech Republic

transparent colors:



clear-CLR



olivin-OLV



smoke-SMK

opaque colors:



new blue-NBL



white-WHT

| | | |
|--------------------|---------------------------------|----------------------|
| LT165 --- | once light dark oxidized | 4.5"Dia (11cm) glass |
| LT165 --- B | once light brushed brass | 4.5"Dia (11cm) glass |
| LT166 --- | once light dark oxidized | 7"Dia (18cm) glass |
| LT166 --- B | once light brushed brass | 7"Dia (18cm) glass |
| LT167 --- | once light dark oxidized | 10"Dia (25cm) glass |
| LT167 --- B | once light brushed brass | 10"Dia (25cm) glass |

