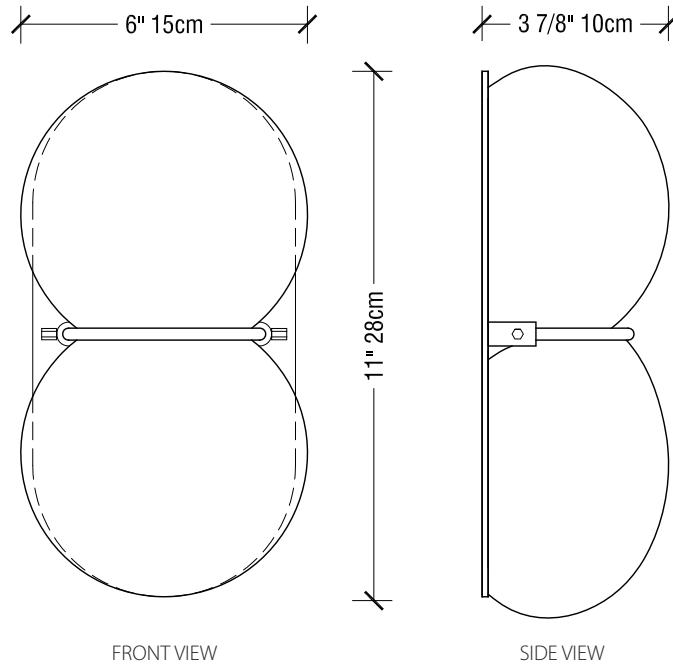


twin 1.0 sconce



The *twin 1.0* sconce is a diffuser of handblown Czech glass made up of two flattened spherical shapes in two colors (one white, one off-white) which are melded together while hot on the glass blower's pipes. The glass is held to a solid brass plate canopy by a brass band which sits between the two spheres. Each sphere is lit from within by two light bulbs, one in each sphere. The *twin 1.0* sconce is designed to meet ADA requirements for commercial use in public spaces by always measuring less than 4" total depth from a wall surface.

UL LISTED SUITABLE FOR DAMP LOCATIONS (US & CANADA)
 Sockets: 120V E12 (candelabra) 7W Max
 Canopy: Brass canopy. Recessed electrical box required for installation
 Bulbs included

Standard metal finishes: dark oxidized / brushed brass (other finishes available on request)
 Two glass color palettes available
 All glass dimensions are approximate – handblown glass dimensions vary by nature and intent
 Handblown in the Czech Republic

glass colors: *blue palette-PBL* *white palette-WHT*

LTM06 --- twin 1.0 sconce dark oxidized
LTM06 --- B twin 1.0 sconce brushed brass

11"H x 6"W x 3 7/8"D (28x15x10cm)
 11"H x 6"W x 3 7/8"D (28x15x10cm)

