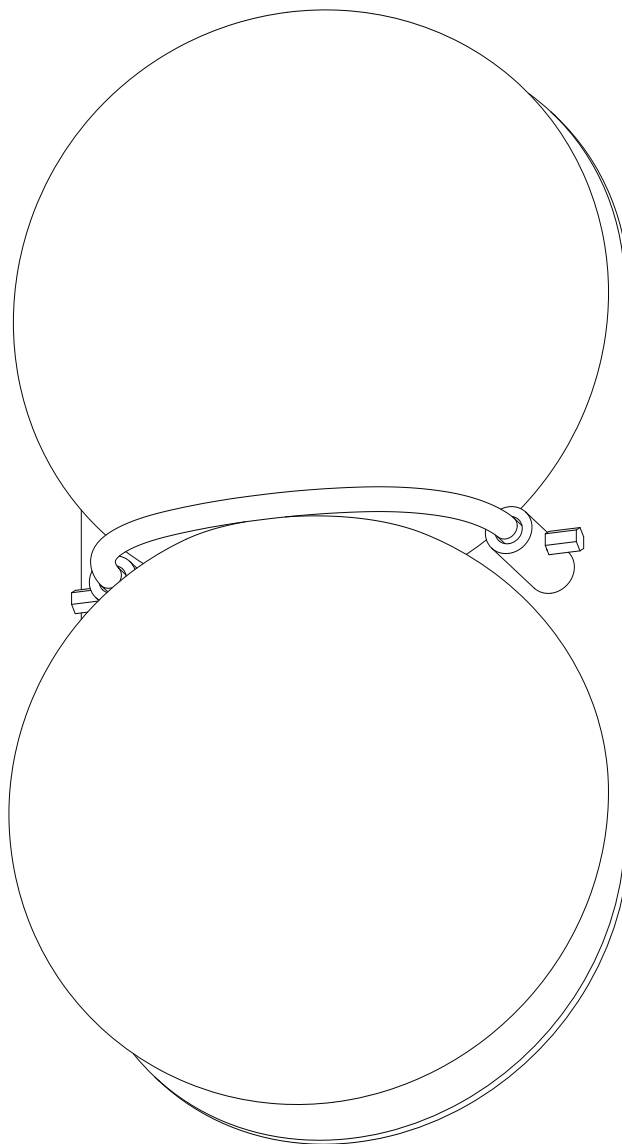




TWIN 1.0 SCONCE

Installation Instructions

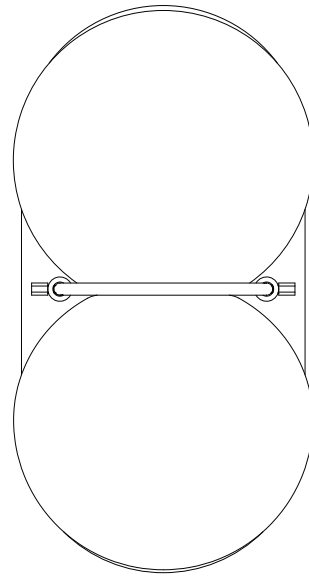




TWIN 1.0 SCONCE

Congratulations on your purchase of a SkLO Twin 1.0 Sconce. This product must be installed in accordance with the applicable codes by a person familiar with the construction and operation of the product and the hazards involved, preferably a licensed electrician. Use a maximum 20W bulb.

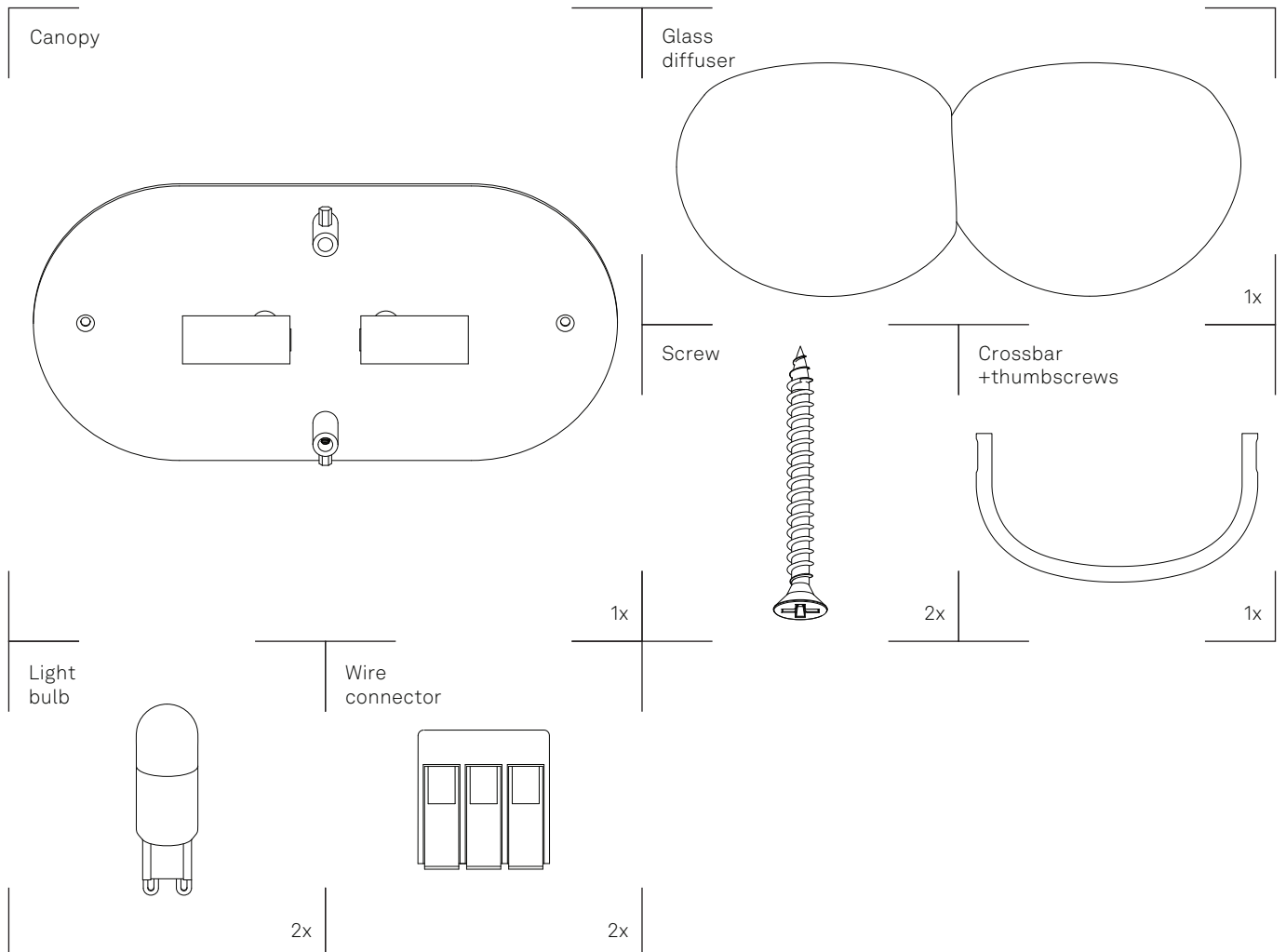
When unpacking individual items and parts of the light fixture, make sure to lay them out on a protective surface that will neither mar the delicate metal finishes nor scratch the glass. Gloves (nitrile) are provided and must be worn during installation to avoid fingerprints on the finish of the exposed metal parts.



FOR WALL MOUNT ONLY

Your SkLO fixture will arrive with the hand-blown glass elements packed separately from the light fixture itself.

CONTENTS:

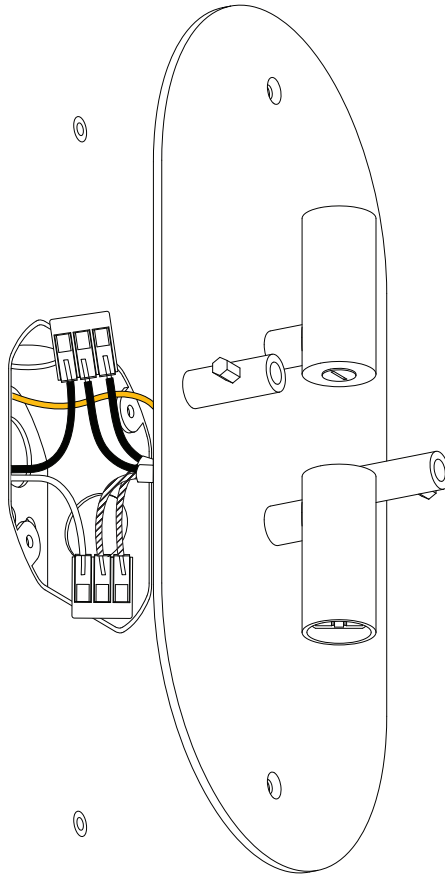




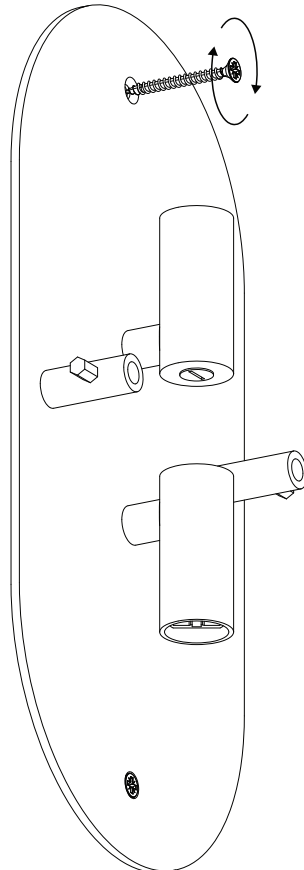
1. It is strongly recommended that the Twin 1.0 Sconce only be installed in the vertical orientation as shown.
2. Carefully supporting the canopy, connect the exposed leads of the fixture to the exposed leads in the electrical box, following the wiring diagram and using the provided wire connectors. Attach the ground (TE) wires to ground (TE) wires of the light fixture, phase 1 (L1) to phase 1 (L1) of the light fixture, neutral (N) to neutral (N) of the light fixture (Figure 1). Please note the number and type of wire connectors may vary.
3. The canopy installs directly to the pre-drilled holes with inserted anchors (not provided) that are appropriate to the wall material. Align the canopy all the way flush to the wall taking care that no electrical cables or connections are exposed where the canopy meets the wall. Fasten the canopy to the wall by screwing the two provided screws through the countersunk holes provided in the canopy, making sure that the canopy sits flush against the wall finish surface (Figure 2). Take great care when installing screws so that tools do not slip and scratch the canopy finish, or damage the exposed screw head slots.
4. Attach the provided thumbscrews to the stand-offs on both sides of the canopy. Do not tighten the screws yet (Figure 3).
5. Install the supplied LED light bulbs (20W Max) into the sockets (Figure 4).
6. Unwrap and lay out the glass diffuser. Carefully fit the glass diffuser over light bulbs so that it fits flush against the brass canopy surface. To secure the glass in place insert the crossbar into the stand-offs and tighten both thumbscrews (Figure 5).



1.

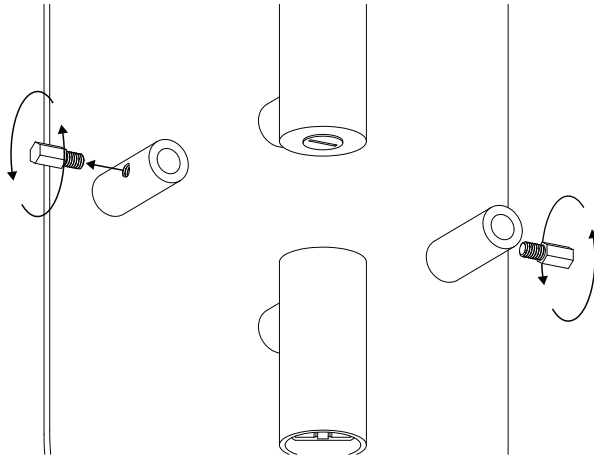


2.

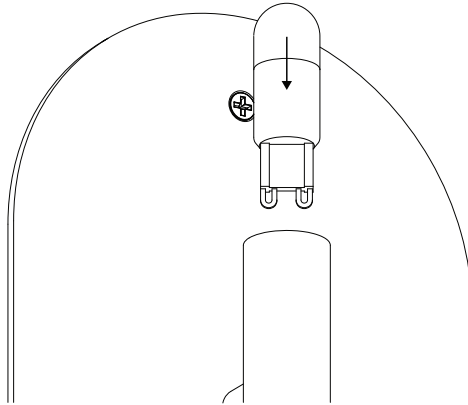




3.



4.



5.

