



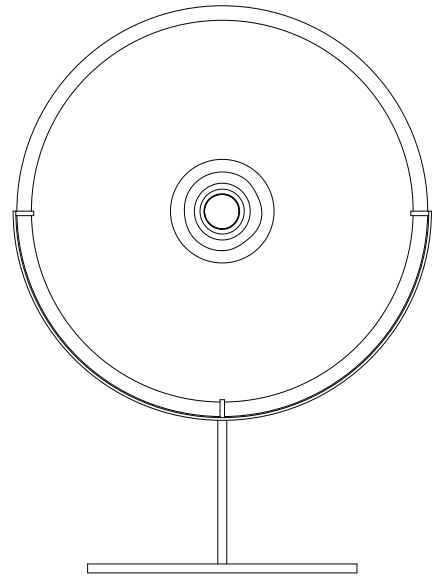
POOL OBJECT

Installation Instructions

Congratulations on your purchase of a SkLO Pool Object.

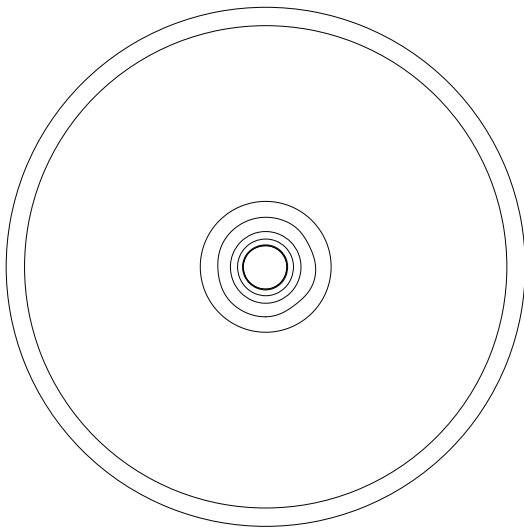
When unpacking individual items and parts of the object, make sure to lay them out on a protective surface that will neither mar the delicate metal finishes nor scratch the glass. Gloves (nitrile) are provided and must be worn during installation to avoid fingerprints on the finish of the exposed metal parts.

Your SkLO object will arrive with the hand blown glass elements packed separately from the metal stand.

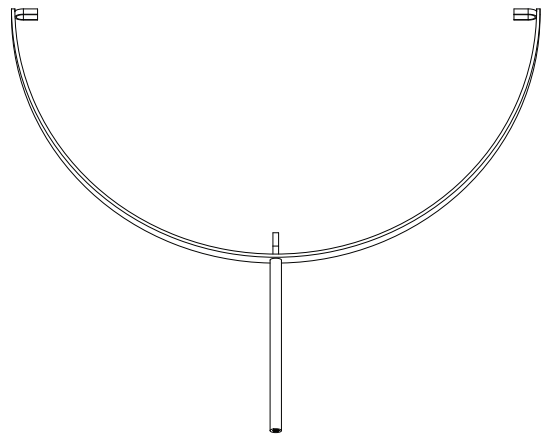


CONTENTS:

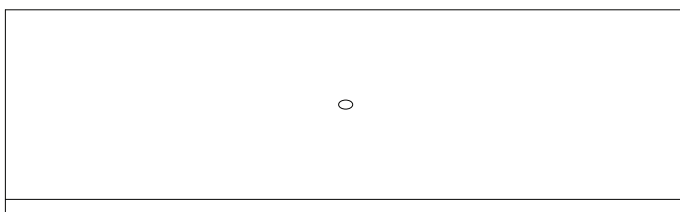
Glass plate



Stand

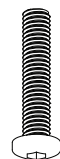


Stand base



1x

Screw



1x

1x

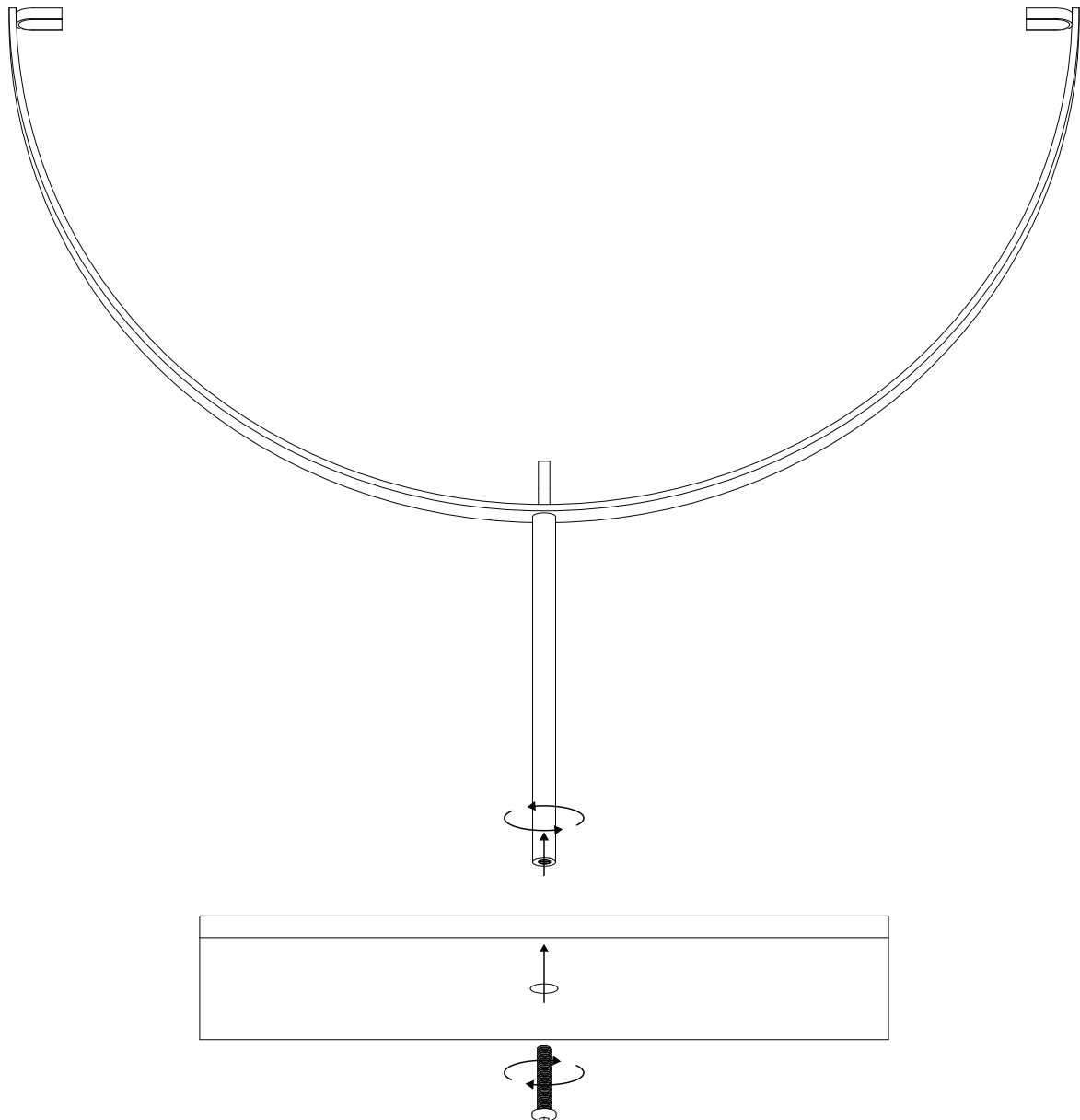
1x



1. Carefully unwrap and lay out all the parts of the object. Tilt the stand base to reach the countersunk hole at the bottom of the plate. Put in the machine screw (provided) and position the stand with the glass plate slot over the screw. Attach the stand to the base by threading it onto the machine screw (Figure 1). Take great care when attaching the stand so that you do not scratch the base or the stand finish. Adjust the stand's alignment to be parallel with the base before tightening the machine screw with a hex key.

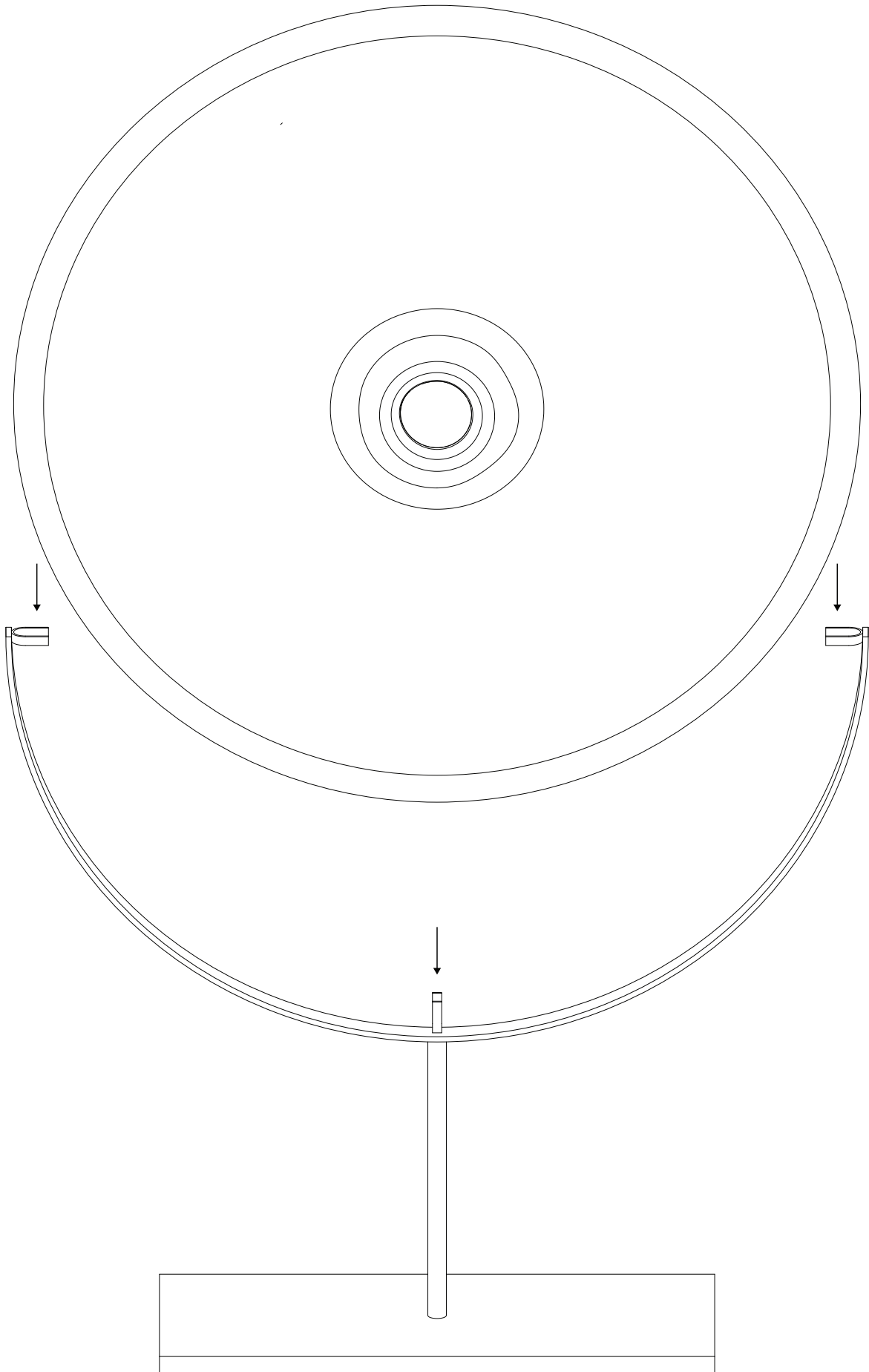
2. Carefully slide the glass plate into the three slots on the stand (Figure 2).

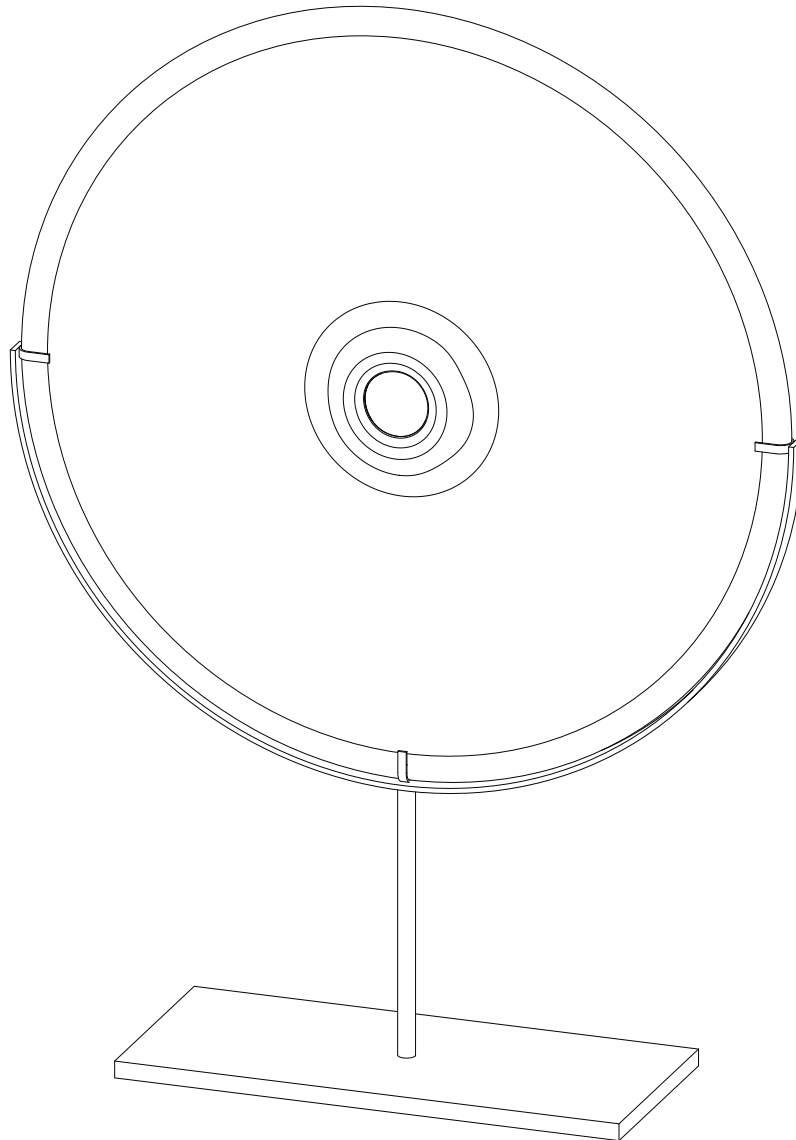
1.





2.





SkLO

sklo.com

SkLO US 115 WEST NORTH STREET HEALDSBURG CALIFORNIA 95448 USA +1.707.385.2101 us@sklo.com
SkLO EU VÁŽNÍ 488 500 03 HRADEC KRÁLOVÉ CZECH REPUBLIC +420.495.542.071 eu@sklo.com