



DRAPE LINEAR 9 CHANDELIER - INSTALLATION INSTRUCTIONS

GLOVES (NITRILE) ARE PROVIDED AND **MUST BE WORN DURING INSTALLATION TO AVOID FINGERPRINTS ON THE FINISH OF THE EXPOSED METAL PARTS.**

This product must be installed in accordance with the applicable codes by a person familiar with the construction and operation of the product and the hazards involved, preferably a licensed electrician. Use maximum 7W bulb.

Two people are recommended to correctly install this light fixture.

You will require a level for this installation.

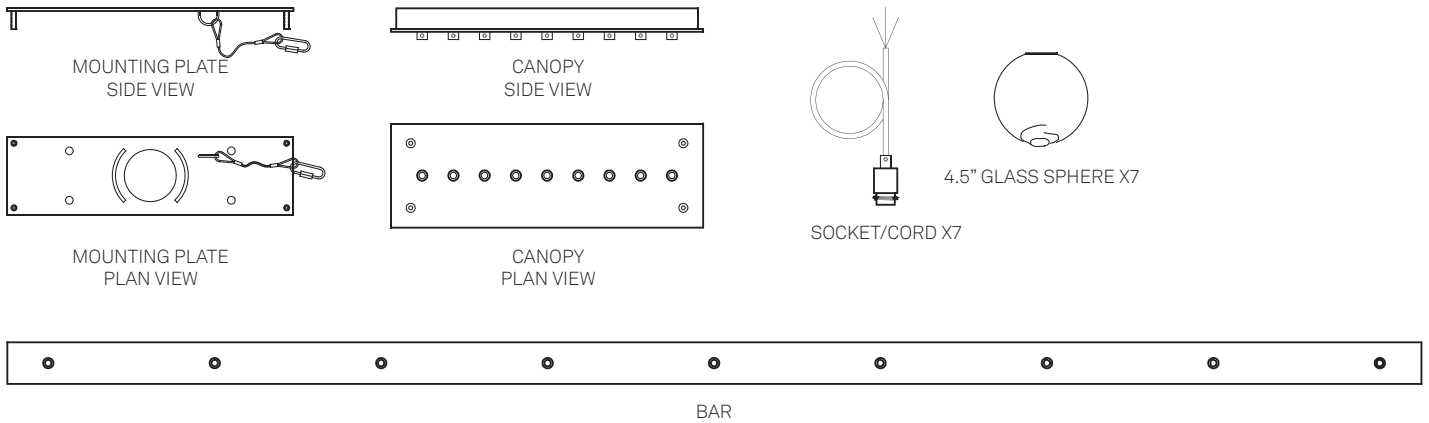


Figure 1. Parts of the Light Fixture Assembly

- 1 When unpacking individual items and parts of the light fixture, make sure to lay them out on a protective surface that will neither mar the delicate metal finishes nor scratch the glass. Gloves (nitrile) are provided and must be worn during installation to avoid fingerprints on the finish of the exposed metal parts
- 2 The glass elements will be packed separately from the light fixture itself. Unpack the metal light fixture first and leave the glass packed until the light is installed.

- 3 The mounting plate will arrive fastened to the canopy. Separate the mounting plate from the canopy by carefully removing the four machine screws and set these aside for use during final installation. **NOTE: There is a steel cable attached to the mounting plate. The other end of the cable will be attached to the top of the canopy during this installation. The cable is provided as part of a UL requirement that allows the fixture to be temporarily suspended independent of the electrical cables/connections for inspection - *Remove the glass spheres before any such inspection or any other case in which the fixture will be supported from this cable alone.***

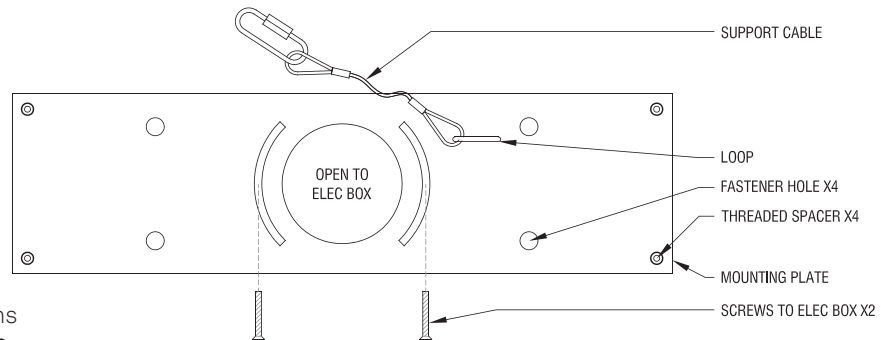


Figure 2. Install mounting plate

- 4 Position the mounting plate over the recessed electrical box (Figure 2). The two curved slots are to fasten the mounting plate directly to the box using the holes provided in the box. Determine the final position and orientation of the fixture such that the electrical box is accessible through the central hole in the mounting plate and the curved slots align with the fastener holes of the electrical box - the mounting plate can be fastened to a steel 4" electrical box through the curved slots with two 1" steel 8/32 thread machine screws (provided) as a means of temporarily supporting the plate while orienting the fixture and marking the locations of the other four fasteners. Note that the fixture cannot be supported from the electrical box alone. Fasteners/anchors (not provided) that are appropriate to the ceiling material being fastened to and adequate to support the weight of the fixture **MUST** be installed in all four fastener holes provided in the mounting plate.



- 5 Fully thread each of the provided all-thread rods into each of the two threaded stand-offs on the mounting plate (Figure 3). Slide the canopy up and over the all-thread rods such that each rod passes through the appropriate hole in the canopy. One at a time, slide a nylon washer up over each all thread and thread on a wing nut. The canopy should be level lengthwise.

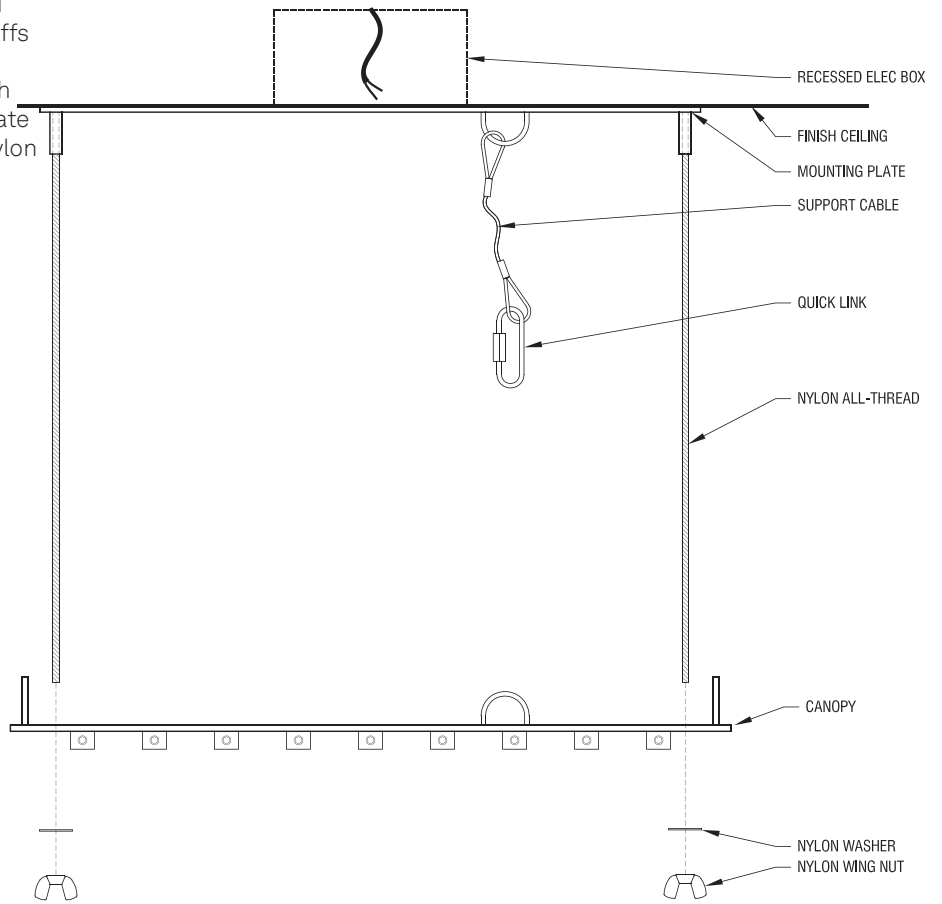


Figure 3. Install nylon all-thread rods into mounting plate and slide canopy up over rods

- 6 Pass the fabric-wrapped electrical cords of each individual pendant through the strain reliefs on the flat bar. The side of the bar with the strain reliefs will face downward (Figure 4). Determine the desired length for the pendants to hang below the bar and then tighten the set screw strain reliefs so that all pendants are the same length. Do not overtighten or damage the fabric covering or the electrical cords themselves.

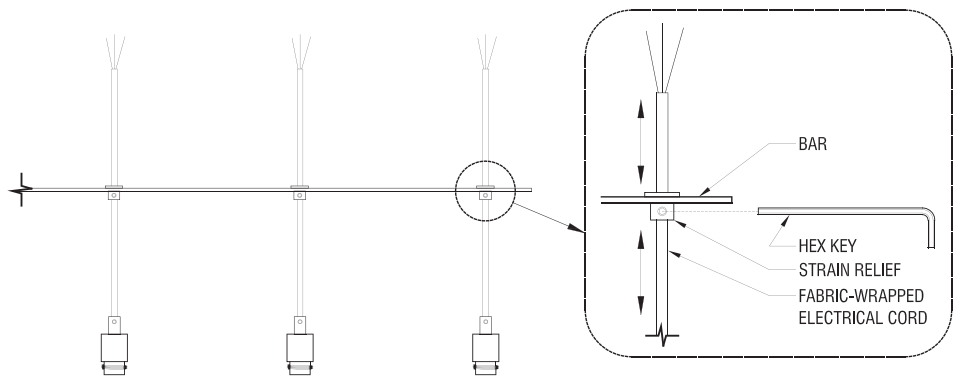


Figure 4. Pass cords through bar



7 Supporting the brass bar, carefully pass each cord through its strain relief on the canopy and gently tighten each strain relief enough to support the fixture (*Figure 5*). Adjust the cord lengths until the bar is level and the desired overall drop length of the fixture is achieved. Tighten the set screw strain reliefs - Do not overtighten or damage the fabric covering or the electrical cords themselves. Leaving enough extra length to make the electrical connections in the canopy, trim any excess length of electrical cord - when trimming the fabric-wrapped electrical cords make sure to use electrical tape or other means to secure the fabric at the location of the cut, and then at the cut end to avoid splaying or fraying or slack in the fabric.

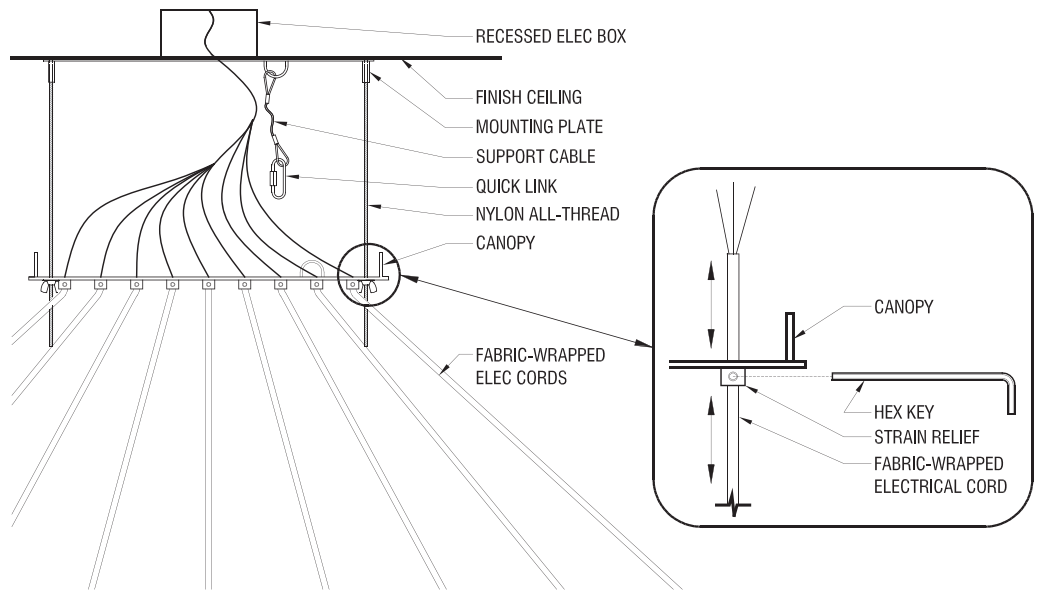


Figure 5. Wiring the fixture / adjusting and checking level

- 8 With the fixture composition in-place, and while the fixture is still supported on the nylon all-thread rods, connect the exposed leads of the fixture to the leads in the electrical box according to the wiring diagram (*Figure 6*) using the wire and wire connectors provided.
- 9 Attach the support cables to the loops on the inside/top of canopy by means of the provided quick-links at the free end of the cables.
- 10 Raise canopy and carefully supported fixture up the nylon all-thread rods all the way flush to the ceiling taking care that no electrical cables or connections are exposed where canopy meets ceiling. Working one at a time, remove a nylon all-thread rod and insert one of the provided machine screws through the countersunk hole in the canopy into the corresponding threaded stand-off on the mounting plate above. Take great care when installing machine screws so that tools do not slip and scratch the canopy finish, nor damage the exposed screw head slots.
- 11 Install a light bulb in each socket (provided - 7W Max).
- 12 Carefully thread a glass shade onto each socket (*Figure 7*). Do not overtighten.

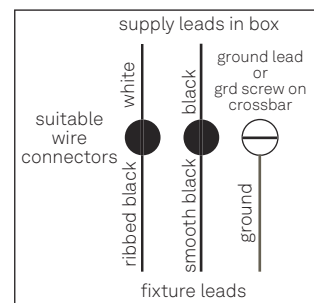


Figure 6. Wiring Diagram

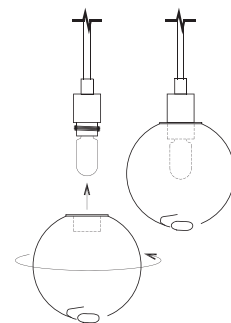


Figure 6. Install glass spheres by threading onto brass sockets