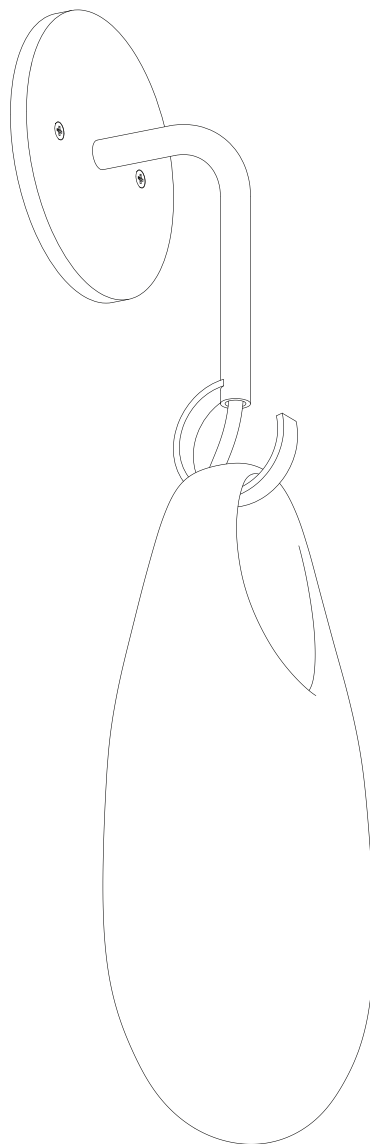




# HOLD 12 SCONCE

## Installation Instructions





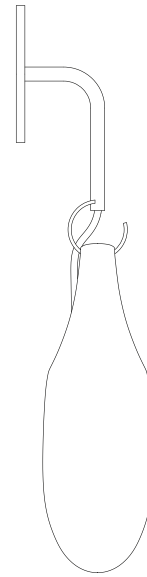
# HOLD 12 SCONCE

*Congratulations on your purchase of a SkLO Hold 12 Sconce. This product must be installed in accordance with the applicable codes by a person familiar with the construction and operation of the product and the hazards involved, preferably a licensed electrician. Use a maximum 7W bulb.*

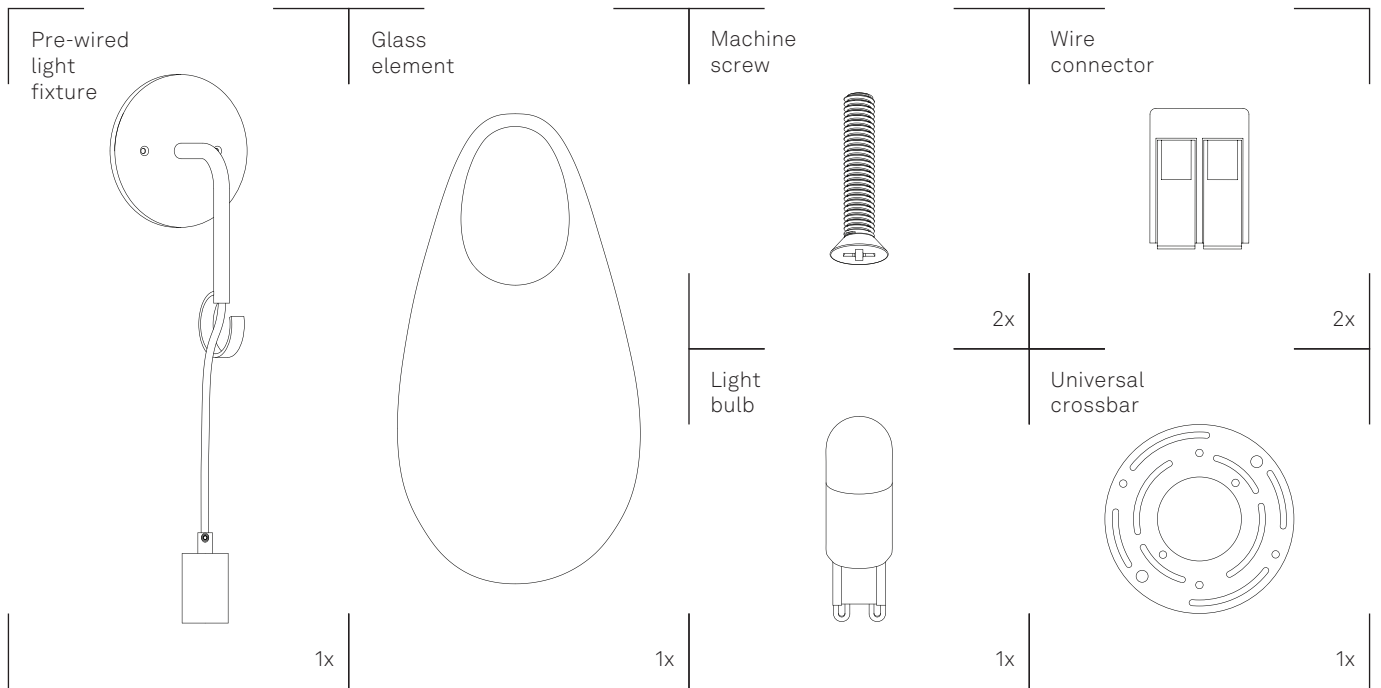
**When unpacking individual items and parts of the light fixture, make sure to lay them out on a protective surface that will neither mar the delicate metal finishes nor scratch the glass. Gloves (nitrile) are provided and must be worn during installation to avoid fingerprints on the finish of the exposed metal parts.**

## FOR WALL MOUNT ONLY

*Your SkLO fixture will arrive with the hand-blown glass elements packed separately from the light fixture itself.*



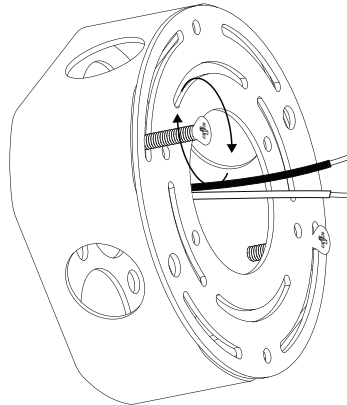
## CONTENTS:



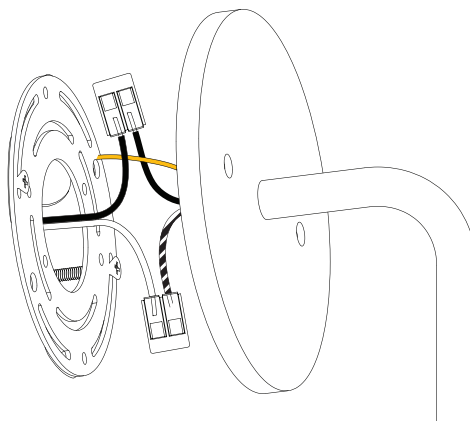


1. The canopy and the hook will come pre-assembled and wired with the fabric-wrapped electrical cord and the brass socket. The length of the cord/socket will be finished – do not adjust the length. Please do not remove the protective packaging from the brass socket during installation and wiring.
2. Install the universal crossbar (provided) to the recessed electrical box with the 8/32 thread screws so that the 8/32 threaded holes spaced 2 3/4” on-center on the crossbar are leveled horizontally (Figure 1).
3. Carefully supporting the fixture, connect the exposed leads of the fixture to the exposed leads in the electrical box, following the wiring diagram and using the provided wire connectors. Attach the ground (TE) wires to ground (TE) wires of the light fixture, phase 1 (L1) to phase 1 (L1) of the light fixture, neutral (N) to neutral (N) of the light fixture (Figure 2). Please note the number and type of wire connectors may vary.
4. The canopy installs directly to the crossbar. The back of the canopy is recessed to fit over the crossbar and sit flush against the wall finish surface. Take care that no electrical cables or connections are exposed where the canopy meets the wall. Fasten the canopy by screwing the two provided 1” long 8/32 thread machine screws directly into the 8/32 threaded holes spaced 2 3/4” on-center on the crossbar through the countersunk holes provided in the canopy, making sure that the canopy sits flush against the wall finish surface (Figure 3). Take great care when installing machine screws so that tools do not slip and scratch the canopy finish, or damage the exposed screw head slots.
5. Remove the protective packaging from the brass socket and install the supplied LED light bulb (7W Max) into the socket (Figure 4). This fixture uses G9 sockets and light bulbs. The G9 is a bi-pin socket. Light bulbs are to be inserted and removed by pushing the bulb straight into the socket, and by pulling it straight out. The bulb, when inserted, should have a tight fit. Do not force the bulb. If there is resistance, check to make sure nothing inside the socket is bent or obstructing the bulb. Always turn off the power to the fixture when changing the bulb(s).
6. Insert the socket with the light bulb carefully into the hole at the top of the glass, and allow it to hang freely inside the glass vessel while hanging the glass vessel on the hook (Figure 5).

1.

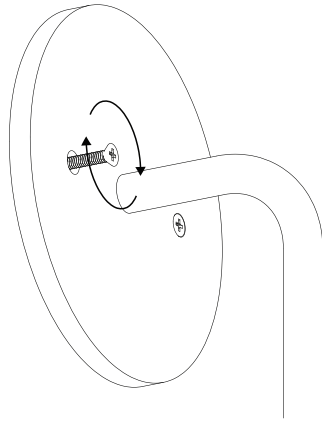


2.

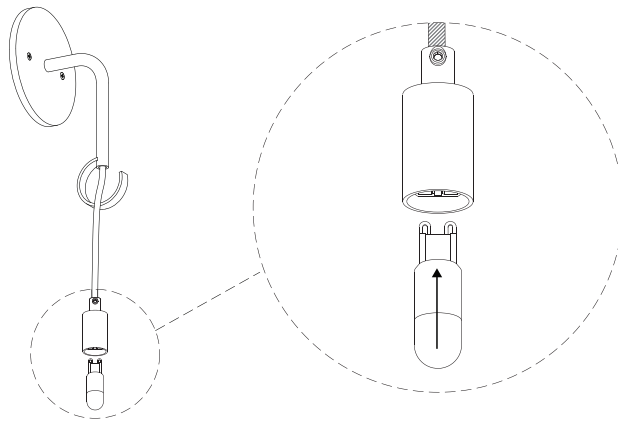




3.



4.



5.

