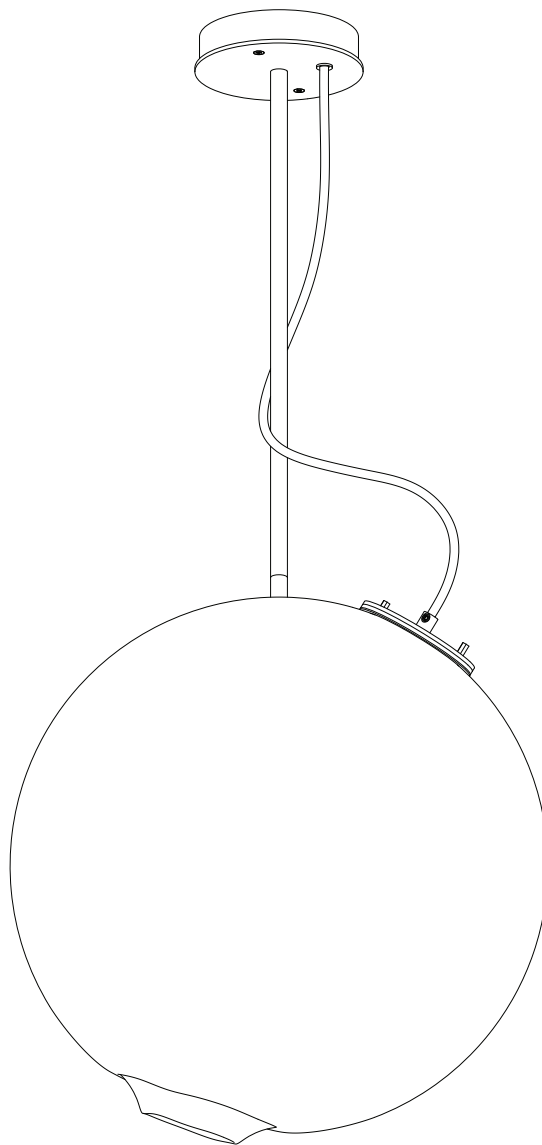




FLOAT 2.0 PENDANT

Installation Instructions



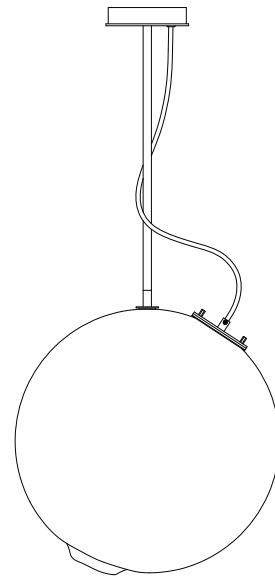


FLOAT 2.0 PENDANT

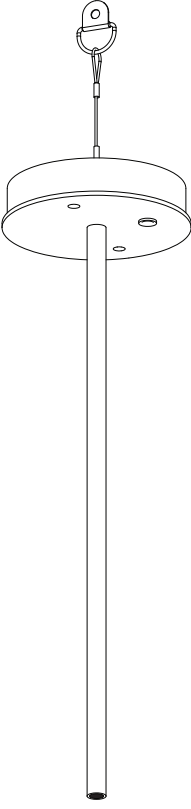

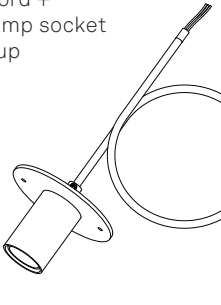
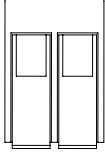
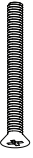
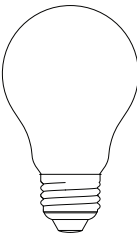
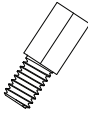
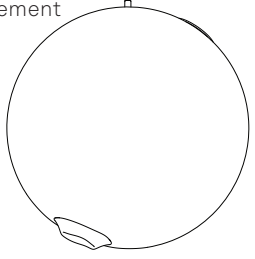
Congratulations on your purchase of a SkLO Float 2.0 Pendant. This product must be installed in accordance with the applicable codes by a person familiar with the construction and operation of the product and the hazards involved, preferably a licensed electrician. Use a maximum 60W bulb.

When unpacking individual items and parts of the light fixture, make sure to lay them out on a protective surface that will neither mar the delicate metal finishes nor scratch the glass. Gloves (nitrile) are provided and must be worn during installation to avoid fingerprints on the finish of the exposed metal parts.

Your SkLO fixture will arrive with the hand-blown glass elements packed separately from the light fixture itself.



CONTENTS:

Canopy + stem + support cable	Additional stem segment (longer OAD lengths only)	Cord + lamp socket cup	Wire connector
			
		Machine screw	1x Light bulb
			
	quantity varies	Thumb nut	2x
	Glass element		1x
			2x
	1x	1x	

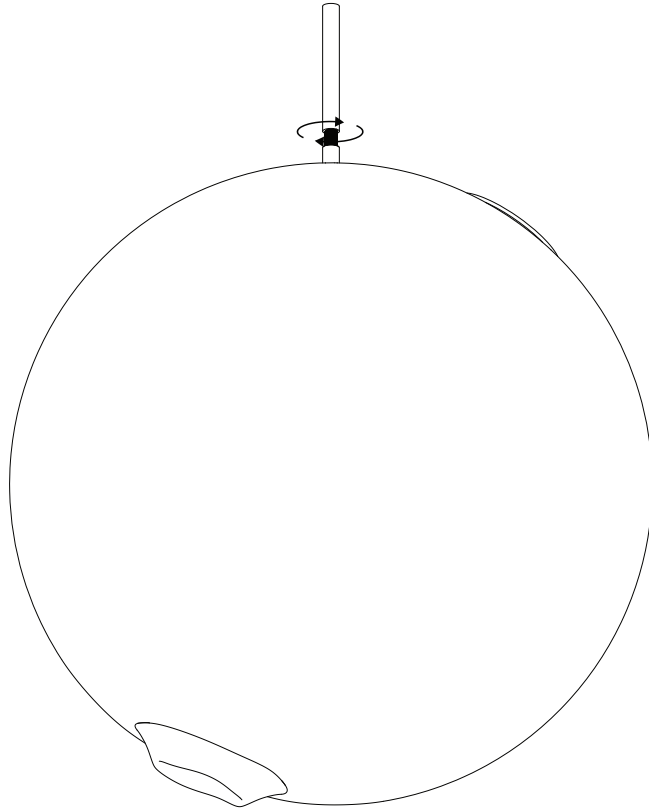


1. Attach the female/internally threaded stem by threading the open end of the stem onto the exposed threaded nipple on the top of the glass element (Figure 1).
Note: The electrical socket will come separate from the glass. The fabric-wrapped electrical cord will be coiled and the brass socket wrapped in protective packaging – we recommend leaving the electrical packaged during installation.

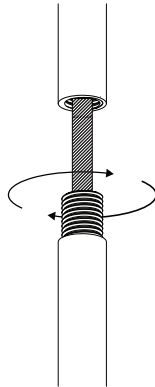
For lights with longer OAD lengths, the stem will be in multiple parts. Uncoil the electrical wiring and carefully pass the wires through each stem as you fasten them together. To connect the stems, first, attach one of the lengths of the stem to the fixture by threading the open female/internally threaded end of the stem onto the exposed threaded nipple on the top of the glass sphere of the fixture (Figure 1). Then, attach the remaining stem lengths by threading the open end of each stem onto the exposed nipple of the other (Figure 2).
2. This fixture comes with a secondary support cable. This cable is required by UL and must support the weight of the fixture, allowing it to be removed and inspected with wiring in place without hanging from the electrical wiring itself. The support cable will be attached to the loop/nut used to attach the canopy to the stem. Using an appropriate fastener, fasten the loose end of the support cable through the side of the electrical box directly into a structural member through the hole provided in the ring as shown in the drawing (Figure 3).
3. Pass the fabric-wrapped electrical cord through the strain relief in the canopy (Figure 4) and fix length of cord by tightening set screw – do not overtighten or damage the electrical cord and insulation (Figure 5).
4. Connect the exposed leads of the fixture to the exposed leads in the electrical box, following the wiring diagram and using the provided wire connectors. Attach the ground (TE) wires to ground (TE) wires of the light fixture, phase 1 (L1) to phase 1 (L1) of the light fixture, neutral (N) to neutral (N) of the light fixture (Figure 6). Please note the number and type of wire connectors may vary.
5. This pendant requires an electrical box with available holes at 3 1/2” on center spacing. If a box with differently spaced threaded holes is present, additional parts may be required to install the fixture properly, such as a universal cross bar (not supplied). Install the canopy by fastening the two supplied 8/32 thread brass machine screws directly into the appropriate holes in the electrical box through the holes and guides provided as part of the canopy, making sure that the canopy sits flat and flush against finish surface (Figure 7). Take great care when installing screws so that tools do not slip and scratch the canopy finish, nor damage the exposed screw head slots.
6. Remove the protective packaging from around the brass socket. SkLO recommends loosely wrapping the cord once or twice around the stem for best visual composition. Install the supplied LED light bulb (60W Max) into the socket (Figure 8).
7. The glass sphere has a large opening with a permanently fixed brass assembly through it. On the outside of the brass assembly there are two small threaded studs, each with a brass thumb nut threaded onto it – remove the two thumb nuts. With the bulb installed in the socket, slide the bulb and socket carefully into the brass assembly in the glass such that the two threaded studs on the assembly pass through the two holes in the disc on the back of the socket. (To change the light bulb, simply reverse this procedure). Thread the two brass thumb nuts onto the threaded studs. Do not overtighten (Figure 9).



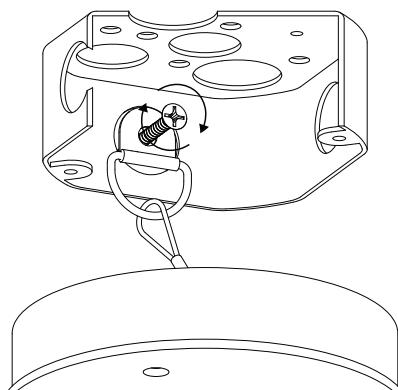
1.



2.

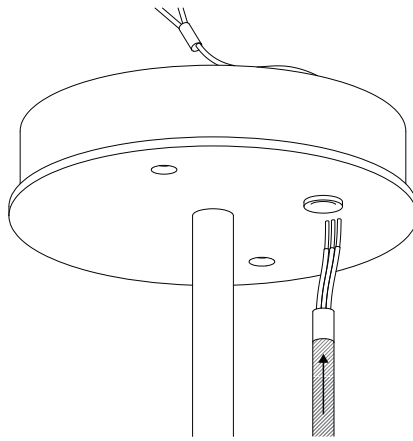


3.

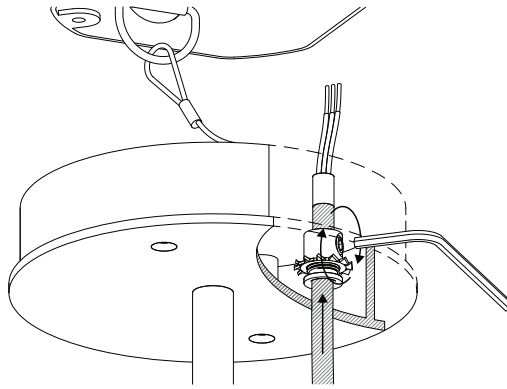




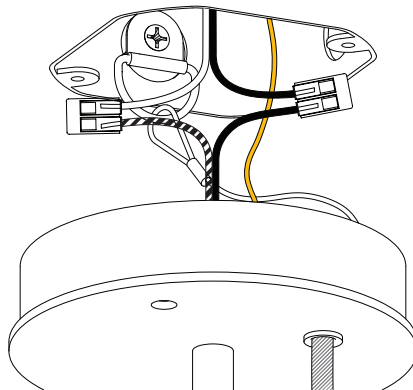
4.



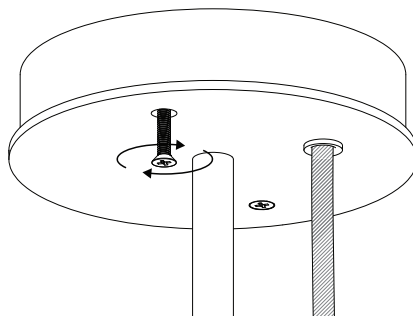
5.



6.

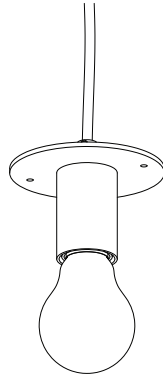


7.





8.



9.

