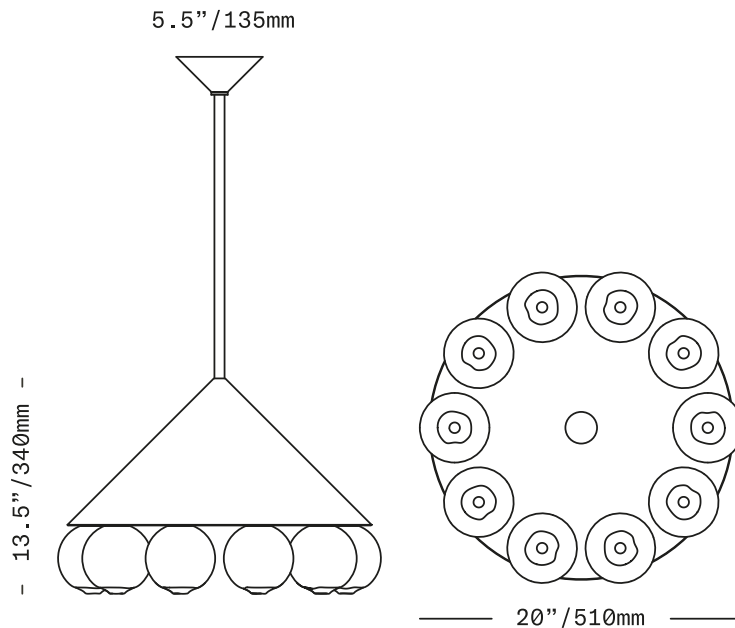


SkLO

Peak 10

CHANDELIER



A ring of ten lit 4.5"/110mm spheres of handblown glass are nestled below a conical form and suspended by a single stem, the forms of the Peak Chandeliers are both playful and elegant. The ceiling canopy is an identical smaller conical shape, mirroring the form of the chandelier. Elevating simple geometric forms, the proportions are everything in the Peak Chandelier, and every detail has been carefully considered. The glass diffusers are available in both "dipped" glass, featuring the SkLO double-dipped flame-polished mouth and "textured" glass, featuring a soft, frosted finish and subtle sculpted vertical ridges.

UL listed suitable for dry and damp locations (US & Canada)

Socket 120V G9 7W Max

LED bulbs included

Requires recessed electrical box for installation

Standard canopy does NOT accommodate sloped ceilings or swagging of this light – other canopy options are available at additional cost – see Canopy Variants specification sheet

Specify overall drop length – Rigid brass tube stems are not field adjustable

Minimum overall drop length: 25"/640mm

Lengths over the below available at additional cost:
50"/1260mm

Fixture weight (approximate): 27.5lbs/12.5kg

All glass dimensions are approximate – handblown glass dimensions vary by nature and intent.

Made in the Czech Republic

LT512 [---][---] Peak 10 Chandelier

Dipped Glass colors

- Clear [CLR]
- New Blue [NBL]
- Olivin [OLV]
- Smoke [SMK]
- White [WHT]

Textured Glass colors

- Clear [TCL]
- Neutral Gray [NGT]
- Steel Blue [TSB]
- Whiskey [TWS]

Metal finishes

- Brushed Brass [BB]

