



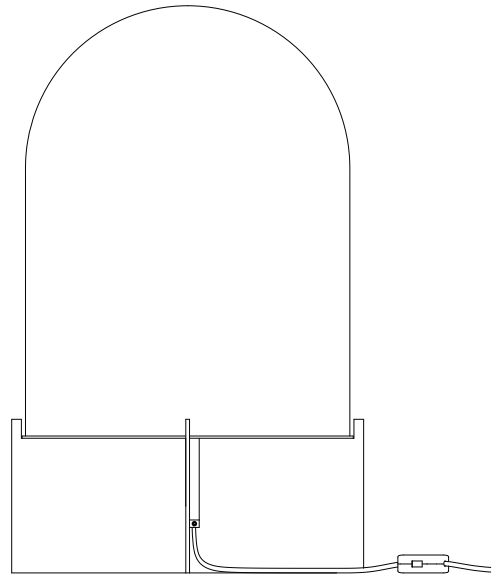
DOMELIGHT

Installation Instructions

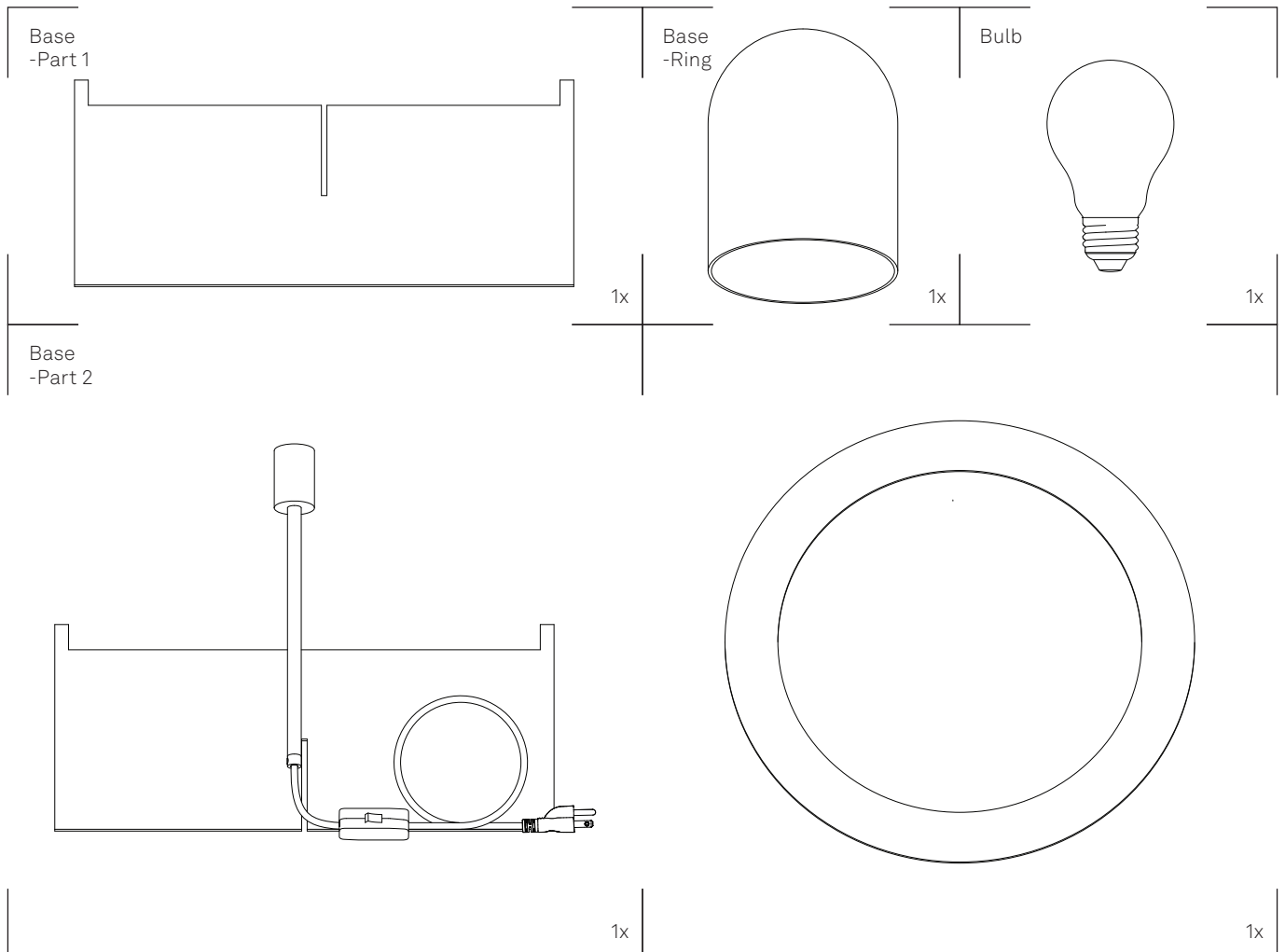
Congratulations on your purchase of a SkLO Dome Light. This product must be installed in accordance with the applicable codes by a person familiar with the construction and operation of the product and the hazards involved, preferably a licensed electrician.

When unpacking individual items and parts of the light fixture, make sure to lay them out on a protective surface that will neither mar the delicate metal finishes nor scratch the glass. Gloves (nitrile) are provided and must be worn during installation to avoid fingerprints on the finish of the exposed metal parts.

Your SkLO fixture will arrive with the hand blown glass elements packed separately from the light fixture itself.



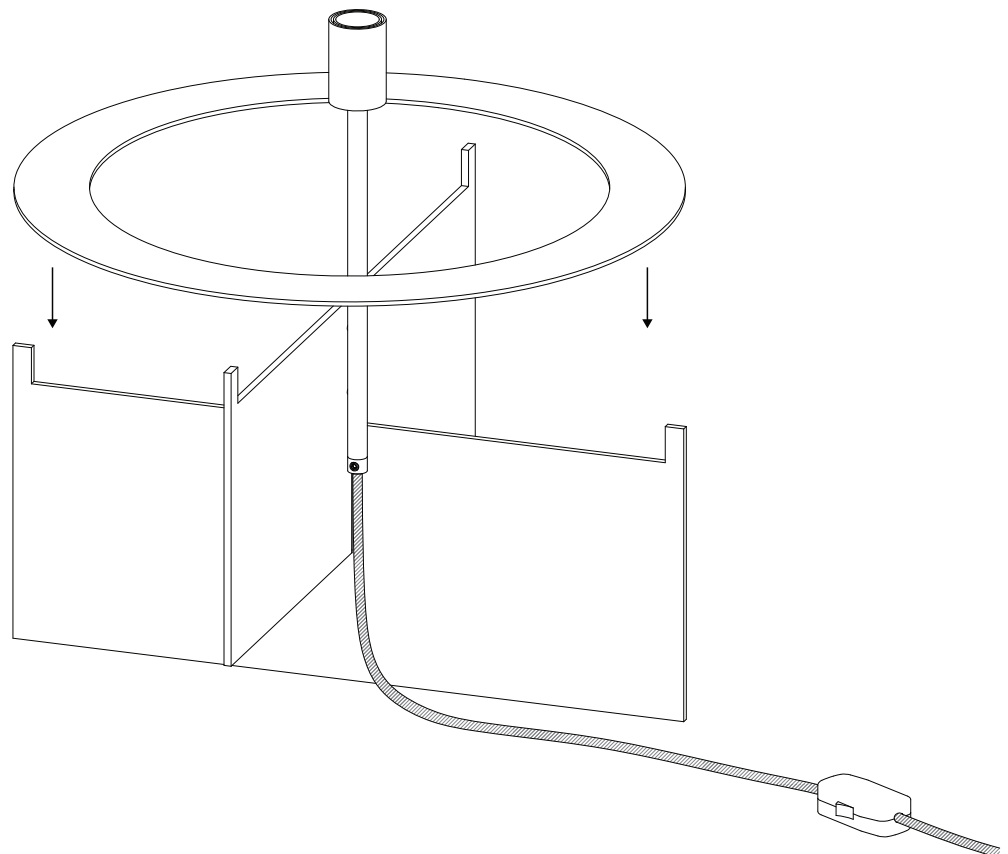
CONTENTS:





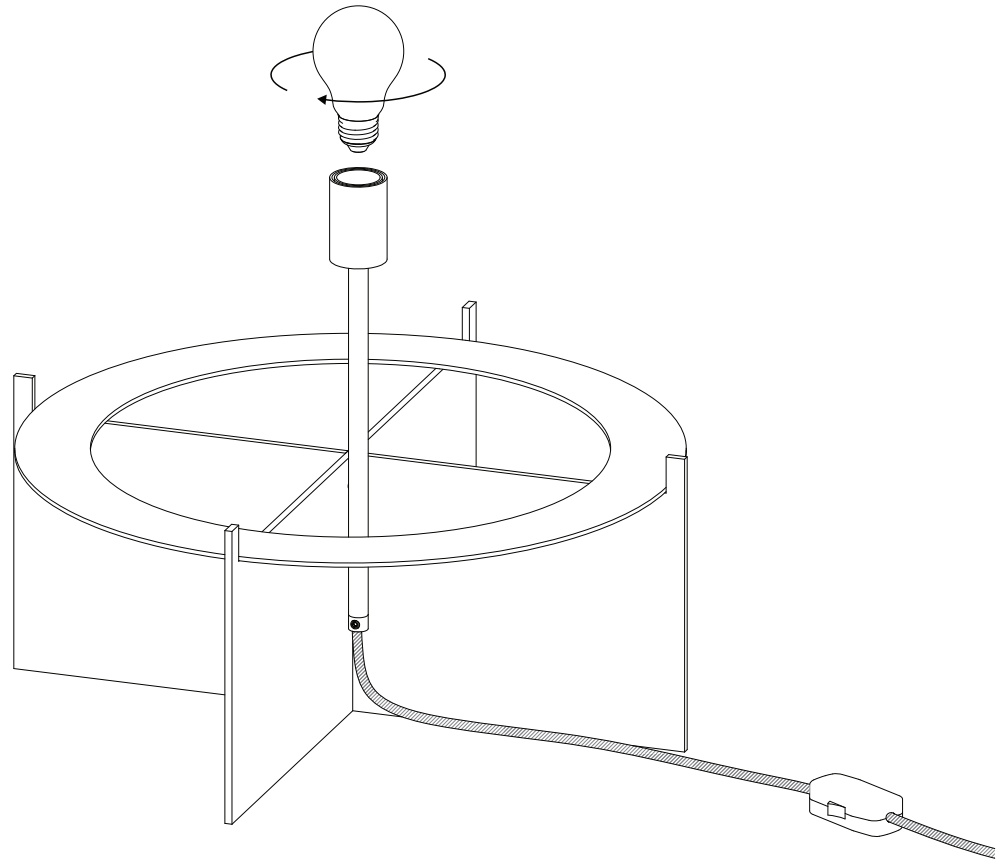
1. Slide Part 2 with stem and socket assembly into Part 1 of the base - use dedicated slots. Once the parts are perfectly fit together and up-facing edges are even, place the ring part of the base carefully on the top of them. (Figure 1)
2. Install a light bulb in the socket (provided - 7W Max) (Figure 2).
3. Unwrap the protective packaging from the glass dome. Carefully place the glass dome on to top of the base. (Figure 3)

1.

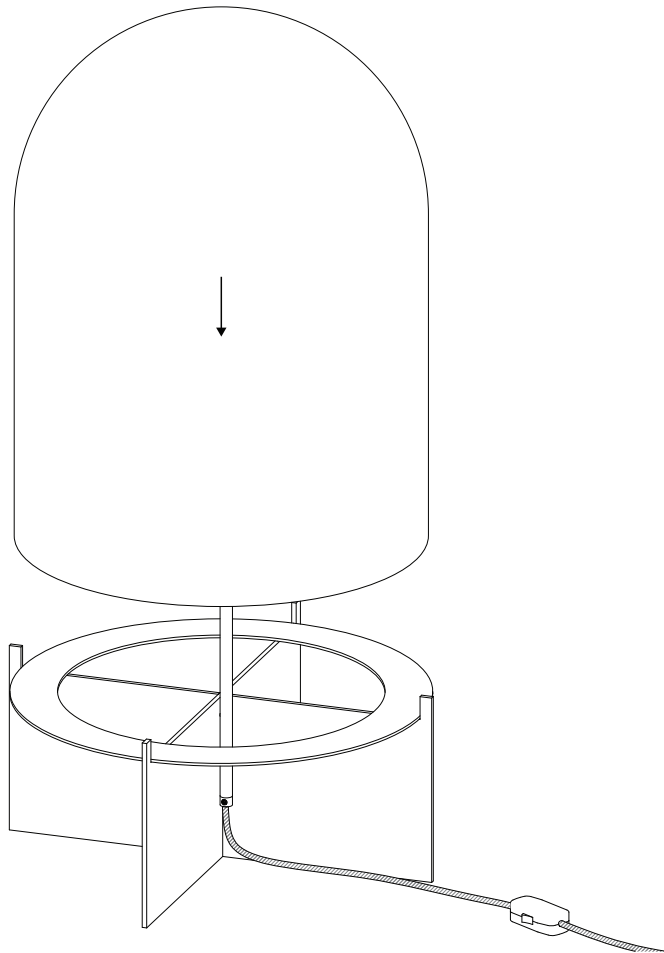


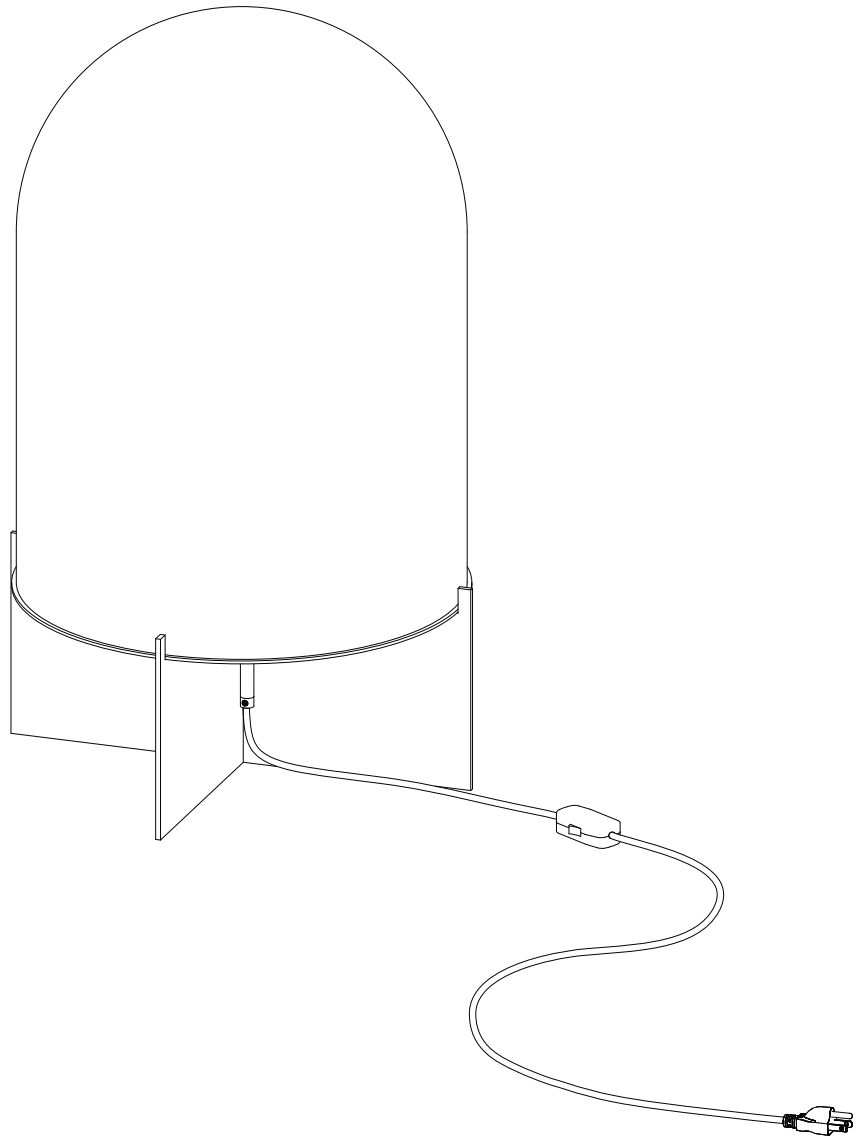


2.



3.





SkLO

sklo.com

SkLO US 115 WEST NORTH STREET HEALDSBURG CALIFORNIA 95448 USA +1.707.385.2101 us@sklo.com
SkLO EU VÁŽNÍ 488 500 03 HRADEC KRÁLOVÉ CZECH REPUBLIC +420.495.542.071 eu@sklo.com