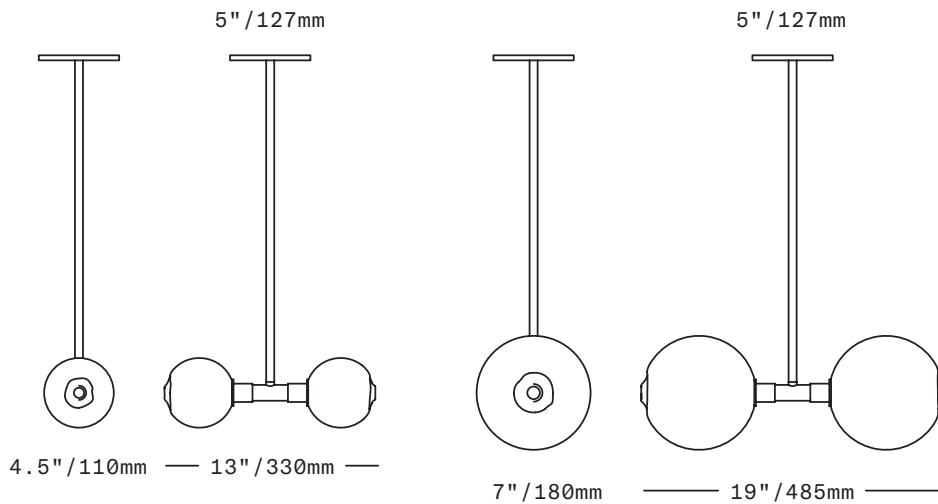


# SkLO

## Stem 2x

PENDANT



The Stem 2X Pendants are minimal pendants consisting of a pair of lit spheres of handblown Czech glass suspended on rigid brass stems. The glass diffusers feature the signature SkLO double-dipped, fire-polished mouths which show where the glass is broken from the blower's pipe, making each unique.

UL listed suitable for dry and damp locations (US & Canada)

Sockets 120V G9 7W Max

LED bulbs included

Glass available in two sizes

Requires recessed electrical box for installation

Standard canopy does NOT accommodate sloped ceilings or swagging of this light – other canopy options are available at additional cost – see Canopy Variants specification sheet

Specify overall drop length – Rigid brass tube stems are not field adjustable

Minimum overall drop lengths: 15"/380mm (LT311)  
17"/430mm (LT314)

Lengths over the below available at additional cost:  
40"/1020mm (LT311)  
40"/1020mm (LT314)

Fixture weights (approximate): 6lbs/2.75kg (LT311)  
9lbs/4kg (LT314)

All glass dimensions are approximate – handblown glass dimensions vary by nature and intent

Made in the Czech Republic

LT311 [---][--]  
LT314 [---][--]

4.5"/110mm glass  
7"/180mm glass

Glass colors

- Clear [CLR]
- New Blue [NBL]
- Olivin [OLV]
- Smoke [SMK]
- White [WHT]

Metal finishes

- Dark Oxidized [DX]
- Brushed Brass [BB]
- Brushed Nickel [BN]
- Polished Nickel [PN]

