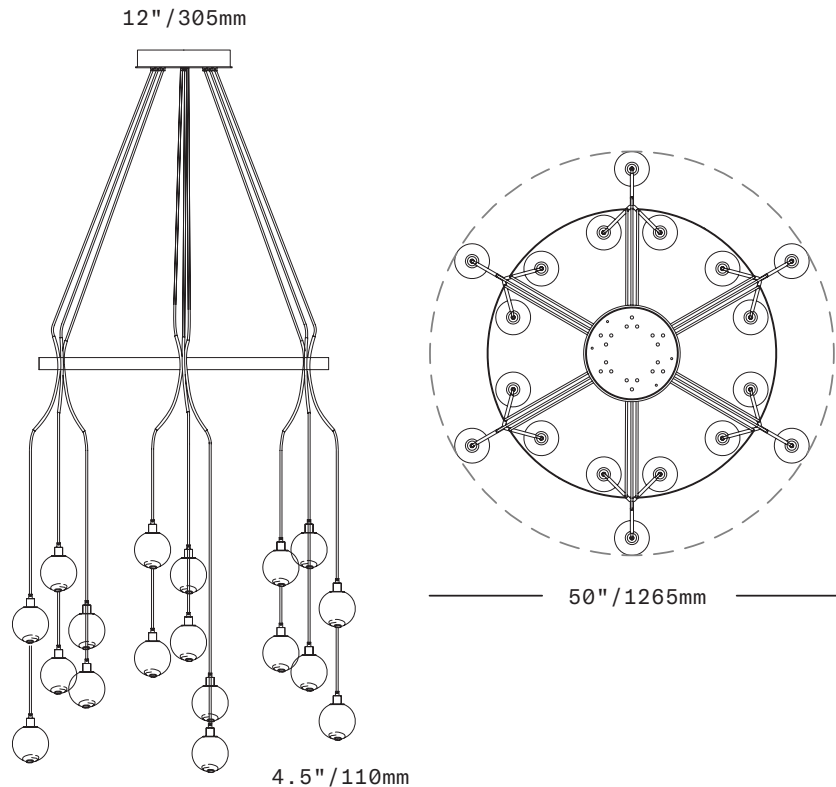


SkLO

Drape Skirt 18

CHANDELIER



The Drape Skirt 18 Chandelier consists of 18 individual pendants gathered into 6 groups of 3 and supported by a series of 6 brass "skirt" structures arranged around the circumference of a brass ring. The brass "skirts" attach to the ring by a series of simple slotted connections, allowing the "skirts" to hold the ring with the slight friction of the cords passing through the smooth brass tubes of the "skirts". Each pendant features a 4.5"/110mm diameter sphere of handblown Czech glass suspended on a fabric-wrapped electrical cord. The glass diffusers feature the signature SkLO double-dipped, fire-polished mouths which show where the glass is broken from the blower's pipe, making each unique. Cord lengths are field adjustable.

UL listed suitable for dry and damp locations (US & Canada)

Sockets 120V G9 7W Max

LED bulbs included

Requires recessed electrical box for installation

Not recommended for sloped ceilings

Standard cord length 96"/2400mm – field adjustable – longer lengths available at additional cost

Fixture weight (approximate): 65lbs/30kg

All glass dimensions are approximate – handblown glass dimensions vary by nature and intent

Made in the Czech Republic

LT293 Drape Skirt 18 Chandelier

- | | |
|----------------|---|
| Glass colors | <input type="radio"/> Clear
<input type="radio"/> New Blue
<input type="radio"/> Olivin
<input type="radio"/> Smoke
<input type="radio"/> White |
| Metal finishes | <input type="radio"/> Dark Oxidized Brass
<input type="radio"/> Brushed Brass
<input type="radio"/> Brushed Nickel
<input type="radio"/> Polished Nickel |
| Cord Colors | <input type="radio"/> Black
<input type="radio"/> Blue
<input type="radio"/> Gold
<input type="radio"/> Gray |

