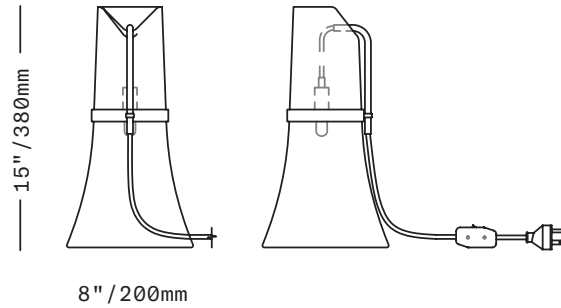


SKLO

Push

LIGHT



The Push Table Light is a minimal, tapering curved cylinder of handblown Czech glass. A simple brass armature embraces the glass – a ring resting on the cylinder supports a brass tube that bends into a depression in the top lip of the glass, made while the glass is molten. A fabric-wrapped electrical cord suspends a brass socket within the glass.

UL listed suitable for dry locations only (US & Canada)

Socket 120V E12 7W Max

LED bulb included

72"/1800mm black fabric-wrapped cord with in-line switch

All glass dimensions are approximate – handblown glass dimensions vary by nature and intent

Made in the Czech Republic

LT720WHT Push Table Light

Glass colors ○ White

Metal finishes ● Dark Oxidized Brass
● Brushed Brass
● Brushed Nickel
○ Polished Nickel

