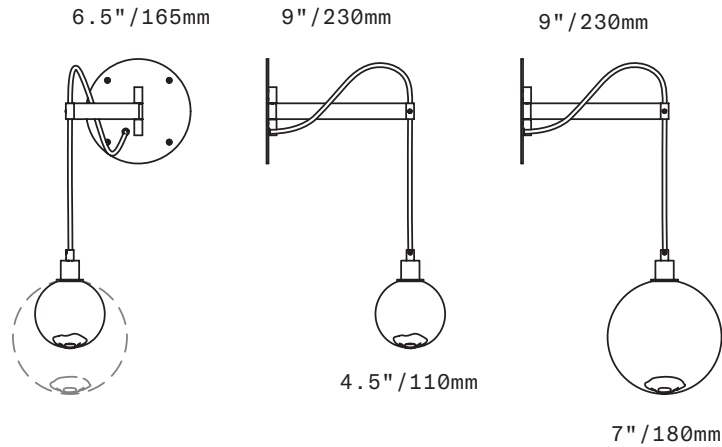


SkLO

Drape Arm 1.09

SCONCE



The Drape Arm 1.09 Sconce is a single lit sphere of handblown Czech glass suspended from a moveable 9"/230mm arm. The spherical shade is available in two sizes and is suspended from the arm on a fabric-wrapped electrical cord. The exposed cord passes through the end of the arm and returns to the canopy at the wall. Solid brass construction throughout, the arm is hinged for a full 180-degree swing. The spherical glass shades feature the signature SkLO double-dipped, fire-polished mouths which show where the glass is broken from the blower's pipe, making each unique.

UL listed suitable for dry and damp locations (US & Canada)

Socket 120V G9 7W Max

LED bulb included

Glass available in two sizes

Requires recessed electrical box for installation

Field adjustable – Standard cord length 72"/1800mm – longer lengths available at additional cost

Fixture weights (approximate): 4.5lbs/2.0kg (LT363)
6.5lbs/3.0kg (LT364)

All glass dimensions are approximate – handblown glass dimensions vary by nature and intent

Made in the Czech Republic

LT363 4.5"/110mm glass

LT364 7"/180mm glass

Glass colors

- Clear
- New Blue
- Olivin
- Smoke
- White

Metal finishes

- Dark Oxidized Brass
- Brushed Brass
- Brushed Nickel
- Polished Nickel

Cord Colors

- Black
- Blue
- Gold
- Gray

