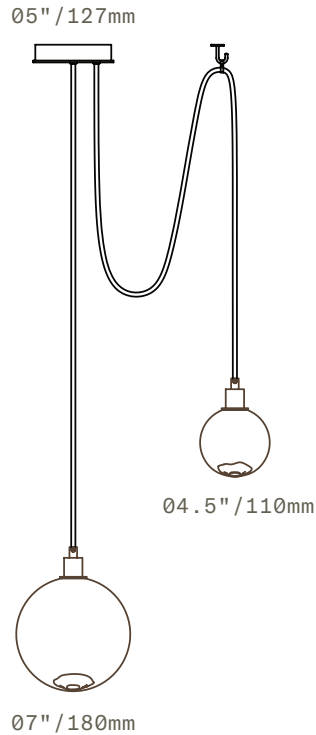


# SkLO

## Drape Composition 1

PENDANT



The Drape Composition 1 is a multi-pendant fixture with 2 pendants suspended from a single canopy. Each pendant is suspended on a fabric-wrapped electrical cord. The center pendant hangs straight down from the canopy and features a 7"/180mm diameter sphere of handblown glass. The outer pendant is swagged to a ceiling hook (included) and features a smaller 4.5"/110mm diameter sphere of handblown glass. The spherical glass shades feature the signature SkLO double-dipped, fire-polished mouths which show where the glass is broken from the blower's pipe, making each unique. Cord lengths are field adjustable.

UL Listed (US&Canada) for dry and damp locations

Sockets 120v G9 7W Max

LED bulbs included

Accommodates sloped ceilings

Requires recessed electrical box for installation

Standard cord length 72"/1800mm - longer lengths available at additional cost

All glass dimensions are approximate - handblown glass dimensions vary by nature and intent

Made in the Czech Republic

LT181 Drape Composition 1 pendant

- |                |                       |
|----------------|-----------------------|
| Glass colors   | ● Blue Palette        |
|                | ○ White               |
| Metal finishes | ● Dark Oxidized Brass |
|                | ● Brushed Brass       |
|                | ● Brushed Nickel      |
|                | ● Polished Nickel     |
| Cord Colors    | ● Black               |
|                | ● Gray                |
|                | ● Blue                |
|                | ● Gold                |

